



## WHAT'S NEW

## BATHS &amp; SPAS

Jetted Baths  
Soaking Baths  
Air Baths  
Outdoor Spas  
Accessories

## SHOWERS

Shower Systems  
Bases  
Doors  
Accessories

## BATHROOM COLLECTIONS

Suites  
Sinks/Lavatories  
Toilets

## KITCHENS

Sinks  
Accessories

## PRODUCTS – BATHS &amp; SPAS

## Jetted Baths

[Printable Version](#)

## Riva 6

[Product Description](#)
[Features](#)
[Specifications](#)
[Colors and Trim Finish](#)
[Configuration Options](#)
[Related Accessories](#)
[Warranty](#)

## PRODUCT DESCRIPTION

The Riva™ 6 is a private retreat designed for comfort and style. The 72-inch bath offers a luxurious hydrotherapy system with four fully adjustable PowerPro® jets, two foot jets, and one lumbar jets.

[^Back to Top](#)


## FEATURES

- Sculpted armrest.
- Contoured backrest.
- 4 Fully adjustable PowerPro jets.
- 2 Directionally adjustable foot jets.
- 1 Directionally adjustable lumbar jet.
- Tru-Level self-leveling base system.
- Slip-resistant bottom.
- Energy-efficient, self-draining, double-insulated pump.
- Patented Silent Air™ Induction system.

[^ Back to Top](#)

## SPECIFICATIONS

**Exterior Dimensions:**

- 72 " long x 42 " wide x 20.5 " high

**Interior Dimensions at Bottom:**

- 50 " long x 28 " wide

**Average Operating Gallons:**

- 62 gallons.

[List Price From\\*:](#)

- \$ 1,643  
(Represents Jacuzzi's price for standard configuration)

**Model Number(s):**

B690, N274

[^ Back to Top](#)

## COLORS AND TRIM FINISH \*\*

[View Details](#)

## RELATED LINKS

## MORE INFORMATION &amp; PURCHASING:

[Getting Started](#)
[Where & How to Buy](#)

## MANUALS:

[Installation Instructions \(.pdf\)](#)
[Rough-In Sheets \(.pdf\)](#)

\*The List Price represents Jacuzzi's price for standard product configurations and basic colors and does not include installation costs. For a better idea of retail pricing, go to [www.jacuzziwhirlpoolstore.com](http://www.jacuzziwhirlpoolstore.com). Jacuzzi recommends that products be installed professionally. List price is subject to change.

\*\* Due to the nature of online technology, all colors represented on this page are approximate. See Authorized Jacuzzi dealer or catalog for accurate color representations.

\*\*\* Warranty displayed is not necessarily the warranty that will accompany the shown product.

Image shown not necessarily representative of list price.

PRODUCT SPECIFICATIONS AND AVAILABILITY ARE SUBJECT TO CHANGE WITHOUT NOTICE. Please confirm product availability and specifications before commencing with any installation work.



Trim Finish:

**Chrome, Brushed Chrome & Brass**

[^ Back to Top](#)

#### CONFIGURATION OPTIONS

---

- Right Hand Drain, Left Hand Pump
- Left Hand Drain, Right Hand Pump

[^ Back to Top](#)

#### RELATED ACCESSORIES

---

- Optional RapidHeat Heater
- Trim
- Curved Pillow
- Optional Underwater Lights
- Bath Timer Kit
- Drain Kit

[^ Back to Top](#)

#### WARRANTY\*\*\*

---

- One year (parts/labor/travel included)

[^ Back to Top](#)

---

[Help/ FAQ's](#) | [Contact Us](#) | [Order a Catalog](#) | [Jacuzzi Worldwide Companies](#)  
[Privacy Policy](#) | [Legal Statement](#) | Copyright © 2004 Jacuzzi Inc.

## Product Specifications

### Riva Whirlpool Bath

#### Model:

#9330 – 5.0 Version

#N274 – 6.0 Version, RH

#B690 - 6.0 Version, LH



## Riva 5/6™ Whirlpool Bath

### DIMENSIONS

Outer:

62"L x 43"W x 19"H - 5.0 Version

72"L x 42"W x 20 1/2"H - 6.0 Version

Inner (at bottom):

41"L x 26"W - 5.0 Version

50"L x 28" - 6.0 Version

RH and LH Drain Locations 6.0 Version only

RH and LH Pump Locations 6.0 Version only

Water Capacity:

48 Gallons - 5.0 Version

62 Gallons - 6.0 Version

### FEATURES

- Four Fully Adjustable PowerPro® jets with a maximum flow rate of 45 GPM per jet.
- 1 Directionally adjustable lumbar jet
- Riva 6.0 also has 2 Foot Jets
- Exclusive Tru-Level base offers a self-leveling base system specifically designed to provide superior structural integrity and easy installation.



### **BENEFITS**

#### **Superior PowerPro® Jets – The Jacuzzi® Difference**

- Hydrotherapy Jets
- Create a broad, circular pattern of bubbles that caress the entire body
- Move more air and water through bigger jets
- The broadest and quietest hydrotherapy action in the industry

#### **Distinctive Design – The GENUINE Brand**

- Made of continuous cast acrylic reinforced fiberglass for a well-designed, easy to care for product
- Exclusive Tru-Level base system designed to give superior structural integrity, while providing easy installation
- Product sustains a lustrous shine

#### **Quality Standards and Service – It's Second Nature at Jacuzzi**

- Dependable, quality product
- Every major component is designed and manufactured in house for optimal reliability
- All products are factory tested and meet UL/IAPMO standards
- All products are backed by a nationwide network of service agents and full-service customer support team

Visit our website at [www.jacuzzi.com](http://www.jacuzzi.com) for additional product selections



# Riva 5/6™ Whirlpool Bath

## Ordering Information

- Product Code:  
**9330** - Riva 5.0  
 Left Hand Drain, Right Hand Pump Location  
**N274** - Riva 6.0  
 Right Hand Drain, Left Hand Pump Location  
**B690** - Majora 6.0  
 Left Hand Drain, Right Hand Pump Location
- Accessories / Hardware:  
 HTC Jet Trim Kit: #D095  
 BMH Jet Trim Kit: #J689
- Trim Kit Finishes Available:  
 (827) – Chrome (898) – Brushed Chrome  
 (829) – Bright Brass (815) – Satin Nickel  
 (805) – Platinum (826) – Brushed Nickel

## Product Information

Riva 5.0 Dimensions	Drain/Overflow Dimensions	Cutout	Total Weight Floor Loading	Operating Gallonage	Product Weight	Skirt Mounting
62" (1575 mm) L 43" (1092 mm) W 19" (483 mm) H	14 <sup>3</sup> / <sub>4</sub> " (375 mm) A 9 <sup>1</sup> / <sub>2</sub> " (241 mm) B	Template Provided	746 lb. (339 kg) 40 lb/sq. ft. (195 kg/sq. m.)	48 U.S. Gal. (182 litres)	96 lb. (44 kg)	N/A

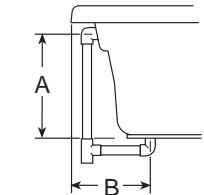
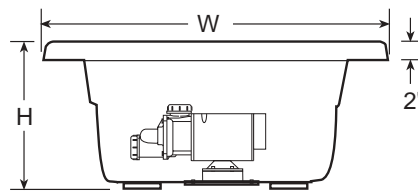
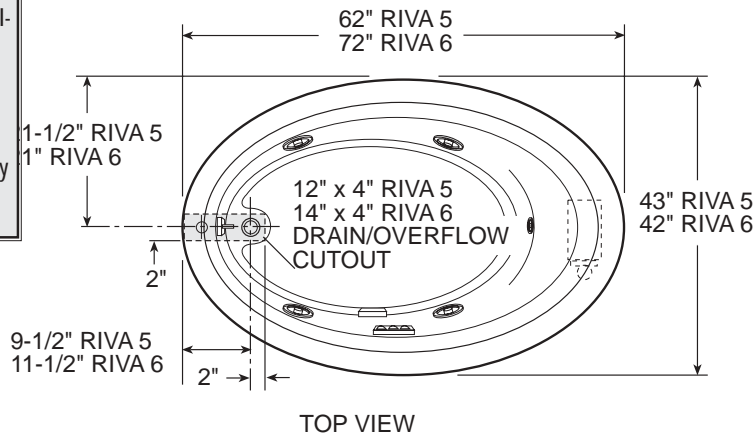
Riva 6.0 Dimensions	Drain/Overflow Dimensions	Cutout	Total Weight Floor Loading	Operating Gallonage	Product Weight	Skirt Mounting
72" (1829 mm) L 42" (1067 mm) W 20 <sup>1</sup> / <sub>2</sub> " (521 mm) H	16" (406 mm) A 11 <sup>1</sup> / <sub>2</sub> " (292 mm) B	Template Provided	871 lb. (396 kg) 42 lb/sq. ft. (205 kg/sq. m.)	62 U.S. Gal. (235 litres)	105 lb. (48 kg)	N/A

### Installation Notes

Refer to installation instructions included with bathing fixture before beginning installation. PRODUCT SPECIFICATIONS AND AVAILABILITY ARE SUBJECT TO CHANGE WITHOUT NOTICE. Please confirm product availability and specifications before commencing with any installation work.

### Required Electrical Service

- 115 VAC, 15 AMP, 60 Hz. Requires Dedicated Separate Circuit
- Whirlpool Motor Pump: 115VAC, 3450 RPM/10AMP, 60 Hz. Single Phase



Visit our website at [www.jacuzzi.com](http://www.jacuzzi.com) for additional product selections



# **BUILDER BATH SERIES**

## **INSTALLATION/OPERATING INSTRUCTIONS**

Installer: Leave this manual for homeowner.  
Homeowner: Read this manual and keep for future reference.

# **IMPORTANT SAFETY INSTRUCTIONS**

## **READ AND FOLLOW ALL INSTRUCTIONS**

### **SAVE THESE INSTRUCTIONS**

WARNING: RISK OF ACCIDENTAL INJURY OR DROWNING; CHILDREN SHOULD NOT USE HYDROMASSAGE BATHTUB WITHOUT ADULT SUPERVISION.

WARNING : TO AVOID INJURY, EXERCISE CAUTION WHEN ENTERING OR EXITING THE HYDROMASSAGE BATHTUB

WARNING: RISK OF ACCIDENTAL INJURY OR DROWNING; DO NOT USE HYDROMASSAGE BATHTUB UNLESS ALL SUCTION GUARDS ARE INSTALLED TO PREVENT BODY AND HAIR ENTRAPMENT.

WARNING: KEEP BODY AND HAIR A MINIMUM OF 6" AWAY FROM SUCTION FITTING AT ALLTIMES WHEN THE WHIRLPOOL SYSTEM IS OPERATING. HAIR LONGER THAN SHOULDER LENGTH SHOULD BE SECURED CLOSE TO THE HEAD.

WARNING: RISK OF ELECTRICAL SHOCK; DO NOT PERMIT ELECTRICAL APPLIANCES (SUCH AS HAIR DRYER, LAMP, TELEPHONE, RADIO OR TELEVISION) WITHIN 60" (1.5 M) OF THIS HYDROMASSAGE BATHTUB.

WARNING: RISK OF ACCIDENTAL INJURY OR DROWNING; DO NOT USE DRUGS OR ALCOHOL BEFORE OR DURING THE USE OF HYDROMASSAGE BATHTUB EQUIPPED WITH A HEATER TO AVOID UNCONSCIOUSNESS AND POSSIBLE DROWNING.

WARNING: RISK OF FETAL INJURY; PREGNANT OR POSSIBLY PREGNANT WOMEN SHOULD CONSULT A PHYSICIAN BEFORE USING A HYDROMASSAGE BATHTUB EQUIPPED WITH A HEATER.

WARNING: RISK OF HYPERTHERMIA AND POSSIBLE DROWNING; DO NOT USE A HYDROMASSAGE BATHTUB EQUIPPED WITH A HEATER IMMEDIATELY FOLLOWING STRENUOUS EXERCISE.

CAUTION; TEST THE GROUND FAULT CIRCUIT INTERRUPTER PROTECTING THIS APPLIANCE PERIODICALLY IN ACCORDANCE WITH MANUFACTURER'S INSTRUCTIONS.

WARNING: RISK OF HYPERTHERMIA AND POSSIBLE DROWNING; WATER TEMPERATURE IN EXCESS OF 100°F (38° C) MAY BE INJURIOUS TO YOUR HEALTH. CHECK AND ADJUST WATER TEMPERATURE BEFORE USE.

WARNING: RISK OF HYPERTHERMIA; PEOPLE USING MEDICATIONS AND/OR HAVING AN ADVERSE MEDICAL HISTORY SHOULD CONSULT A PHYSICIAN BEFORE USING A HYRDOMASSAGE BATHTUB EQUIPPED WITH A HEATER.

AN EQUIPMENT GROUNDING TERMINAL IS PROVIDED IN THE FIELD WIRING COMPARTMENT. TO REDUCE THE RISK OF ELECTRICAL SHOCK, THIS TERMINAL MUST BE CONNECTED TO THE GROUNDING MEANS PROVIDED IN THE ELECTRICAL SUPPLY PANEL WITH A CONNECTOR EQUIVALENT IN SIZE TO THE CIRCUIT CONNECTORS SUPPLYING THIS EQUIPMENT. IN CANADA, INSTALL THIS UNIT IN ACCORDANCE WITH THE CANADIAN ELECTRICAL CODE PART 1.

## PRECAUTIONS

Do not operate the whirlpool system unless the bath is filled with water to at least 2" above the highest jet.

Never drop or insert any object into any opening.

Do not use oil-based bath additives in your whirlpool bath.

When cleaning your bath, do not use abrasive substances which will damage the bath's surface.

To prevent discoloration of the acrylic finish, do not fill the bath with water in excess of 140°F (60°C).

The whirlpool system should be purged at least twice a month. For your convenience, we have developed a plumbing system cleaner (Systems Clean™) specifically for whirlpool baths. For availability call 1-800-288-4002.

Use this unit only for its intended purpose as described in this manual. Do not use attachments not recommended by the manufacturer.

This unit must be connected only to a supply circuit that is protected by a ground fault circuit interrupter (GFCI). Such a GFCI should be provided by the installer and should be tested on a routine basis. To test the GFCI, push the test button. The GFCI should interrupt power. Push the reset button. Power should be restored. If the GFCI fails to operate in this manner, there is a ground current flowing, indicating a possibility of an electric shock. Do not use this unit. Disconnect the unit and have the problem corrected by a qualified electrician before using.

A pressure wire connector is provided on the exterior of the motor to permit connection of an No. 8 AWG (8.4 mm) solid copper bonding conductor between this unit and all other electric equipment and exposed metal in the vicinity, as needed to comply with local requirements.

This unit should be installed by a licensed electrician and grounded.

For built-in and drop-in units, install to permit access for servicing.

**Note: This is a professional grade product. A knowledge of construction techniques, plumbing and electrical installation according to codes are required for proper installation and user satisfaction. We recommend that a licensed contractor perform the installation of all Jacuzzi Whirlpool Bath products. Our warranty does not cover improper installation related problems.**

# CONTENTS

Specifications _____	1-5
Roughing-in Reference _____	6-11
Framing and Support _____	12
Skirts _____	13
Service Access _____	14
Electrical Connections _____	15-16
Plumbing and Water Supply _____	17
Operation _____	18-19
Maintenance _____	20
General Troubleshooting Guide _____	21
Repair Parts _____	22-26
Warranty _____	27-28

**Save These Instructions for Future Use.**

## ***Owner's Record***

Date Purchased \_\_\_\_\_

Purchased From \_\_\_\_\_

Installed By \_\_\_\_\_

Serial Number \_\_\_\_\_

Model \_\_\_\_\_



## Important: Read complete instructions before beginning installation.

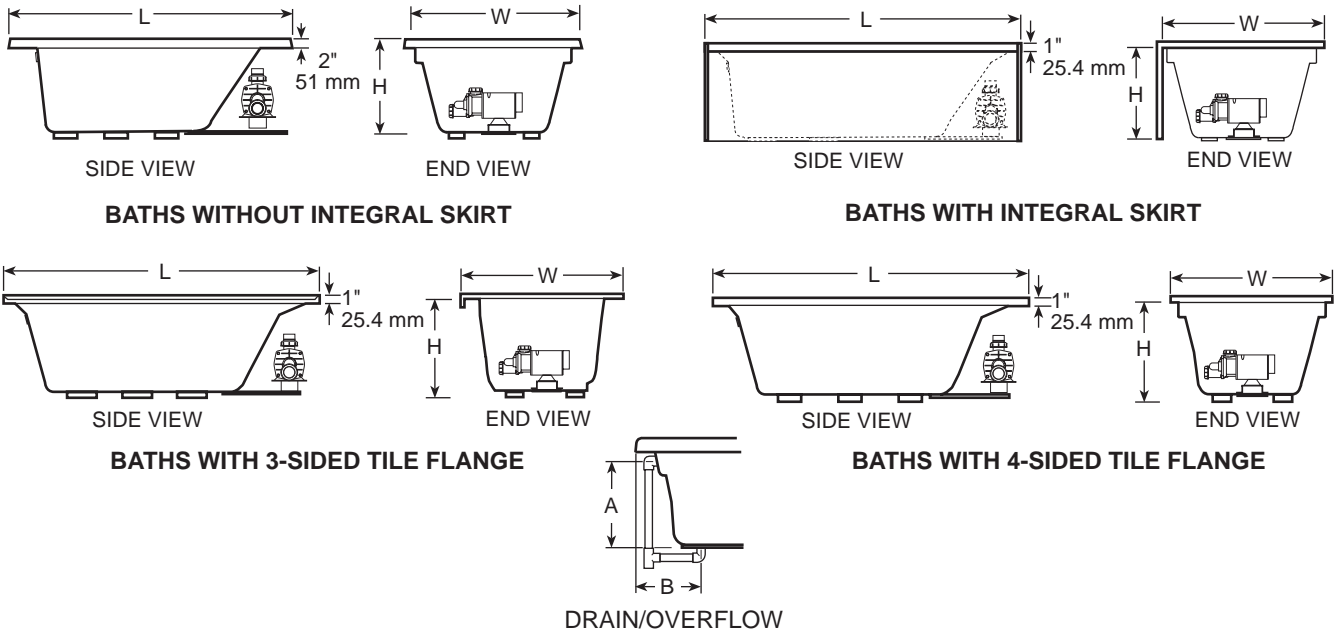
Each whirlpool bath arrives ready for installation, completely equipped with motor/pump assembly and plumbing and fittings necessary for whirlpool operation. An optional drain/overflow kit is available for installation on the bath.

Remove the bath from the carton. Retain the shipping carton until satisfactory inspection of the product has been made. **Do not lift the bath by the plumbing at any time; handle by the shell only.**

Immediately upon receipt, inspect the shell before installing. Should inspection reveal any damage or defect in the finish, do not install the bath. Damage or defect to the finish claimed after the bath is installed is excluded from the warranty. Jacuzzi Whirlpool Bath's responsibility for shipping damage ceases upon delivery of the products in good order to the carrier. Refer any claims for damage to the carrier. For definitions of warranty coverage and limitations, refer to the published warranty information packed with the product.

All bath units are factory tested for proper operation and watertight connections prior to shipping. **Note: Prior to installation, the bath must be filled with water and operated to check for leaks that may have resulted from shipping damage or mishandling.** Jacuzzi Whirlpool Bath is not responsible for any defect that could have been discovered, repaired, or avoided by following this inspection and testing procedure.

### RECTANGULAR BATHS



### SPECIFICATIONS (Rectangular)

MODEL	DIMENSIONS	DRAIN/OVERFLOW DIMENSIONS	CUTOUT	TOTAL WEIGHT/ FLOOR LOADING	OPERATING GALLONAGE	PRODUCT WEIGHT	SKIRT & MOUNTING	AVAILABILITY OF "RAPIDHEAT" IN LINE HEATER
AMIGA™	72" (1829 mm) L* 36" (914 mm) W 20-3/4" (533 mm) H	16-7/8" (429 mm) A 14" (356 mm) B	70" x 34"	772 lb (351 kg)/ 43 lb/sq. ft. (210 kg/sq. m)	50 U.S. gal (186 liters)	105 lb (48 kg)	Optional, U-Frame	Yes
AMIGA™ WITH INTEGRAL SKIRT	72" (1829 mm) L* 36" (914 mm) W 20-3/4" (533 mm) H	16-7/8" (429 mm) A 14" (356 mm) B	NA	796 lb (362 kg)/ 44 lb/sq. ft. (214 kg/sq. m)	50 U.S. gal (186 liters)	129 lb (59 kg)	Integral	Yes
BIANCA™	72" (1829 mm) L* 48" (1219 mm) W 20-1/2" (521 mm) H	16" (406 mm) A 8-1/2" (216 mm) B	70" x 46"	993 lb (451 kg)/ 41 lb/sq. ft. (200 kg/sq. m)	73 U.S. gal (276 liters)	135 lb (61kg)	Optional, U-Frame	Yes
CETRA™ WITH INTEGRAL SKIRT	60" (1524 mm) L* 32" (813 mm) W 20-1/2" (521 mm) H	17-7/8" (454 mm) A 9-3/8" (238 mm) B	NA	727 lb (330 kg)/ 55 lb/sq. ft. (268 kg/sq. m)	46 U.S. gal (174 liters)	94 lb (43 kg)	Integral	Yes
CETRA™ 532	60" (1524 mm) L* 31-7/8" (791 mm) W 21-1/4" (553 mm) H	18-1/2" (470 mm) A 9" (229 mm) B	58" X 30-1/4"	697 lb (317 kg)/ 53 lb/sq. ft. (259 kg/sq. m)	43 U.S. gal (181 liters)	89 lb (41 kg)	Optical U Frame	Yes
CETRA™ 536	60" (1524 mm) L* 36" (914 mm) W 21-1/4" (553 mm) H	18-1/2" (470 mm) A 9" (229 mm) B	58" X 34-1/4"	742 lb (337 kg)/ 50 lb/sq. ft. 244 kg/sq. m	48 U.S. gal (181 liters)	92 lb (42 kg)	Optical U Frame	Yes

\*Add 1/4" to this dimension when roughing-in for 3-wall niche.

#### FOR ALL UNITS:

**MOTOR/PUMP:** 115 VAC, 3450 RPM/10 AMP, 60 Hz Single phase.

**ELECTRICAL SERVICE REQUIREMENTS:** 115 VAC, 15 AMP, 60 Hz. RapidHeat: 115 VAC., 15 Amp, 60 Hz.

All require a dedicated GFCI protected separate circuit.

## SPECIFICATIONS (Rectangular)

MODEL	DIMENSIONS	DRAIN/OVERFLOW DIMENSIONS	CUTOUT	TOTAL WEIGHT/ FLOOR LOADING	OPERATING GALLONAGE	PRODUCT WEIGHT	SKIRT & MOUNTING	AVAILABILITY OF "RAPIDHEAT" IN LINE HEATER
<b>CETRA™ 536 WITH INTEGRAL SKIRT</b>	60" (1524 mm) L* 36" (914 mm) W 21-1/4" (553 mm) H	18-1/2" (470 mm) A 9" (229 mm) B	NA	742 lb (337 kg)/ 50 lb/sq. ft. (244 kg/sq. m)	48 U.S. gal (181 liters)	92 lb (42 kg)	Integral	Yes
<b>CIVA™</b>	60" (1524 mm) L* 36" (914 mm) W 21-1/4" (540 mm) H	16-3/4" (426 mm) A 9-3/8" (238 mm) B	58" x 34"	709 lb (322 kg)/ 47 lb/sq. ft. (229 kg/sq. m)	44 U.S. gal (167 liters)	92 lb (42 kg)	Optional, U-Frame	Yes
<b>EURA™</b>	72" (1829 mm) L* 42" (1067 mm) W 20" (508 mm) H	16-3/8" (416 mm) A 10-1/4" (260 mm) B	70" x 40"	990 lb (415 kg)/ 47 lb/sq. ft. (229 kg/sq. m)	72 U.S. gal (273 liters)	140 lb (64 kg)	Optional	Yes
<b>LUNA™</b>	60" (1524 mm) L* 32" (813 mm) W 19" (483 mm) H	15-3/4" (400 mm) A 9-1/4" (235 mm) B	58" x 30"	675 lb (307 kg)/ 51 lb/sq. ft. (249 kg/sq. m)	41 U.S. gal (155 liters)	83 lb (38 kg)	Optional, U-Frame	Yes
<b>LUXURA™ 5</b>	60" (1524 mm) L* 32" (813 mm) W 20-1/4" (514 mm) H	15-1/4" (387 mm) A 8-1/4" (210 mm) B	NA Molded-in Tile Flange	697 lb (264 kg)/ 52 lb/sq. ft. (254 kg/sq. m)	44 U.S. gal (167 liters)	80 lb (36kg)	Optional, U-Frame	Yes
<b>LUXURA™ 5 WITH INTEGRAL SKIRT</b>	60" (1524 mm) L 32" (813 mm) W 20-1/4" (514 mm) H	15-1/4" (387 mm) A 8-1/4" (210 mm) B	NA	700 lb (318 kg)/ 53 lb/sq. ft. (259 kg/sq. m)	42 U.S. gal (159 liters)	100 lb (45 kg)	Integral	Yes
<b>LUXURA™ 5.5</b>	66" (1676 mm) L* 34" (864 mm) W 20" (508 mm) H	15-1/4" (387 mm) A 8-3/8" (213 mm) B	64" x 32"	823 lb (374 kg)/ 53 lb/sq. ft. (259 kg/sq. m)	58 U.S. gal (220 liters)	90 lb (41 kg)	Optional, U-Frame	Yes
<b>LUXURA™ 530 WITH INTEGRAL SKIRT</b>	60" (1524 mm) L* 30" (762 mm) W 20-1/4" (483 mm) H	16-3/4" (425 mm) A 9-1/4" (235 mm) B	NA	662 lb (301 kg)/ 53 lb/sq. ft. (259 kg/sq. m)	38 U.S. gal (144 liters)	95 lb (43 kg)	Integral	Yes
<b>MAGNA™</b>	60" (1524 mm) L* 48" (1219 mm) W 22" (559 mm) H	17-1/2" (445 mm) A 13-1/8" (333 mm) B	58" x 46"	776 lb (353 kg)/ 39 lb/sq. ft. (190 kg/sq. m)	49 U.S. gal (186 liters)	118 lb (54 kg)	Optional, U-Frame	Yes
<b>MAJORA™ 5</b>	60" (1524 mm) L* 42" (1067 mm) W 19-1/2" (495 mm) H	15" (381 mm) A 8-3/4" (222 mm) B	58" x 40"	728 lb (331 kg)/ 42 lb/sq. ft. (205 kg/sq. m)	46 U.S. gal (172 liters)	95 lb (43 kg)	Not Available	Yes
<b>MAJORA™ 6</b>	72" (1829 mm) L* 42" (1067 mm) W 19-3/4" (502 mm) H	15-5/8" (397 mm) A 10-1/2" (267 mm) B	70" x 40"	937 lb (423 kg)/ 44 lb/sq. ft. (215 kg/sq. m)	70 U.S. gal (265 liters)	104 lb (47 kg)	Not Available	Yes
<b>MAJORA™ 6 WITH INTEGRAL SKIRT</b>	72" (1829 mm) L* 42" (1067 mm) W 19-3/4" (502 mm) H	15-5/8" (397 mm) A 10-1/2" (267 mm) B	NA	947 lb (430 kg)/ 45 lb/sq. ft. (220 kg/sq. m)	70 U.S. gal (265 liters)	114 lb (52 kg)	Integral	Yes
<b>MITO™ 5</b>	60" (1524 mm) L* 42" (1067 mm) W 21" (533 mm) H	17-1/2" (445 mm) A 11-7/8" (302 mm) B	58" x 40"	866 lb (394 kg)/ 50 lb/sq. ft. (244 kg/sq. m)	62 U.S. gal (235 liters)	100 lb (45 kg)	Optional, U-Frame	Yes
<b>MITO™ 6</b>	72" (1829 mm) L* 42" (1067 mm) W 21-1/2" (546 mm) H	17-1/2" (445 mm) A 11-7/8" (302 mm) B	70" x 40"	993 lb (451 kg)/ 47 lb/sq. ft. (229 kg/sq. m)	76 U.S. gal (288 liters)	110 lb (50 kg)	Not Available	Yes
<b>NOVA™ 5</b>	60" (1524 mm) L* 42" (1067 mm) W 18-1/2" (470 mm) H	14-3/4" (375 mm) A 8-1/2" (216 mm) B	58" x 40"	722 lb (328 kg)/ 41 lb/sq. ft. (200 kg/sq. m)	45 U.S. gal (170 liters)	97 lb (44 kg)	Optional, U-Frame	Yes

\*Add 1/4" to this dimension when roughing-in for 3-wall niche.

**FOR ALL UNITS:**

**MOTOR/PUMP:** 115 VAC, 3450 RPM/10 AMP, 60 Hz Single phase.

**ELECTRICAL SERVICE REQUIREMENTS:** 115 VAC, 15 AMP, 60 Hz. RapidHeat: 115 VAC., 15 Amp, 60 Hz.

All require a dedicated GFCI protected separate circuit.

## SPECIFICATIONS (Rectangular)

MODEL	DIMENSIONS	DRAIN/OVERFLOW DIMENSIONS	CUTOUT	TOTAL WEIGHT/ FLOOR LOADING	OPERATING GALLONAGE	PRODUCT WEIGHT	SKIRT & MOUNTING	AVAILABILITY OF "RAPIDHEAT" IN LINE HEATER
<b>NOVA™ 5 WITH INTEGRAL 3-SIDED TILE FLANGE</b>	60" (1524 mm) L* 42" (1067 mm) W 18-1/2" (470 mm) H	14-3/4" (375 mm) A 8-1/2" (216 mm) B	NA	722 lb (328 kg)/ 41 lb/sq. ft. (200 kg/sq. m)	45 U.S. gal (170 liters)	97 lb (44 kg)	Not Available	Yes
<b>NOVA™ 5 WITH INTEGRAL 4-SIDED TILE FLANGE</b>	60" (1524 mm) L 42" (1067 mm) W 18-1/2" (470 mm) H	14-3/4" (375 mm) A 8-1/2" (216 mm) B	NA	722 lb (328 kg)/ 41 lb/sq. ft. (200 kg/sq. m)	45 U.S. gal (170 liters)	97 lb (44 kg)	Not Available	Yes
<b>NOVA™ 5 WITH INTEGRAL SKIRT</b>	60" (1524 mm) L* 42" (1067 mm) W 18-1/2" (470 mm) H	15-7/8" (403 mm) A 9-1/4" (235 mm) B	NA	737 lb (335 kg)/ 42 lb/sq. ft. (205 kg/sq. m)	45 U.S. gal (170 liters)	112 lb (51 kg)	Integral	No
<b>NOVA™ 6</b>	72" (1829 mm) L* 42" (1067 mm) W 20-1/2" (521 mm) H	14-3/4" (375 mm) A 8-1/2" (216 mm) B	70" x 40"	876 lb (398 kg)/ 42 lb/sq. ft. (205 kg/sq. m)	62 U.S. gal (235 liters)	110 lb (50 kg)	Optional, U-Frame	Yes
<b>NOVA™ 536</b>	60" (1524 mm) L* 36" (914 mm) W 19-1/4" (489 mm) H	15-1/8" (384 mm) A 9" (229 mm) B	58" x 34"	683 lb (310 kg)/ 46 lb/sq. ft. (224 kg/sq. m)	42 U.S. gal (159 liters)	83 lb (38 kg)	Not Available	Yes
<b>NOVA™ 536 WITH INTEGRAL SKIRT</b>	60" (1524 mm) L* 36" (914 mm) W 19-1/4" (489 mm) H	14-5/8" (372 mm) A 9" (229 mm) B	NA	698 lb (317 kg)/ 47 lb/sq. ft. (229 kg/sq. m)	42 U.S. gal (159 liters)	98 lb (45 kg)	Integral	No
<b>SIGNA™ 5</b>	60" (1524 mm) L* 42" (1067 mm) W 22" (559 mm) H	17-1/2" (445 mm) A 12-1/2" (318 mm) B	58" x 40"	708 lb (321 kg)/ 40 lb/sq. ft. (195 kg/sq. m)	42 U.S. gal (159 liters)	108 lb (49 kg)	Optional, U-Frame	Yes
<b>SIGNA™ 5 WITH INTEGRAL 3-SIDED TILE FLANGE</b>	60" (1524 mm) L* 42" (1067 mm) W 22" (559 mm) H	17-1/2" (445 mm) A 12-1/2" (318 mm) B	NA	708 lb (321 kg)/ 40 lb/sq. ft. (195 kg/sq. m)	42 U.S. gal (159 liters)	108 lb (49 kg)	Optional, U-Frame	Yes
<b>SIGNA™ 5 WITH INTEGRAL 4-SIDED TILE FLANGE</b>	60" (1524 mm) L 42" (1067 mm) W 22" (559 mm) H	17-1/2" (445 mm) A 12-1/2" (318 mm) B	NA	708 lb (321 kg)/ 40 lb/sq. ft. (195 kg/sq. m)	42 U.S. gal (159 liters)	108 lb (49 kg)	Not Available	Yes
<b>*SIGNA™ 6</b>	72" (1829 mm) L* 42" (1067 mm) W 22" (559 mm) H	16-7/8" (429 mm) A 14" (356 mm) B	70" x 40"	826 lb (375 kg)/ 39 lb/sq. ft. (190 kg/sq. m)	55 U.S. gal (208 liters)	118 lb (54 kg)	Not Available	Yes
<b>SIGNA™ 6 WITH INTEGRAL 4-SIDED TILE FLANGE</b>	72" (1829 mm) L* 42" (1067 mm) W 22" (559 mm) H	16-7/8" (429 mm) A 14" (356 mm) B	NA	826 lb (375 kg)/ 39 lb/sq. ft. (190 kg/sq. m)	55 U.S. gal (208 liters)	118 lb (54 kg)	Not Available	Yes
<b>VANTAGE™ WITH INTEGRAL SKIRT</b>	60" (1524 mm) L* 32" (813 mm) W 18-1/2" (470 mm) H	14-1/2" (368 mm) A 9-3/8" (238 mm) B	NA	669 lb (304 kg)/ 50 lb/sq. ft. (244 kg/sq. m)	38 U.S. gal (144 liters)	102 lb (46 kg)	Integral	No
<b>VIANTE</b>	60" (1524 mm) L* 32" (813 mm) W 21" (533 mm) H	16-1/4" (413 mm) A 10" (254 mm) B	58" x 30"	736 lb (335 kg)/ 55 lb/sq. ft. (268 kg/sq. m)	48 U.S. gal (181 liters)	86 lb (39 kg)	Optional	No
<b>VIANTE 36</b>	60" (1524 mm) L* 36" (914 mm) W 21" (533 mm) H	16-1/4" (413 mm) A 10" (254 mm) B	58" x 34"	787 lb (358 kg)/ 53 lb/sq. ft. (59 kg/sq. m)	53 U.S. gal (201 liters)	96 lb (44 kg)	Optional	No

\*Add 1/4" to this dimension when roughing-in for 3-wall niche.

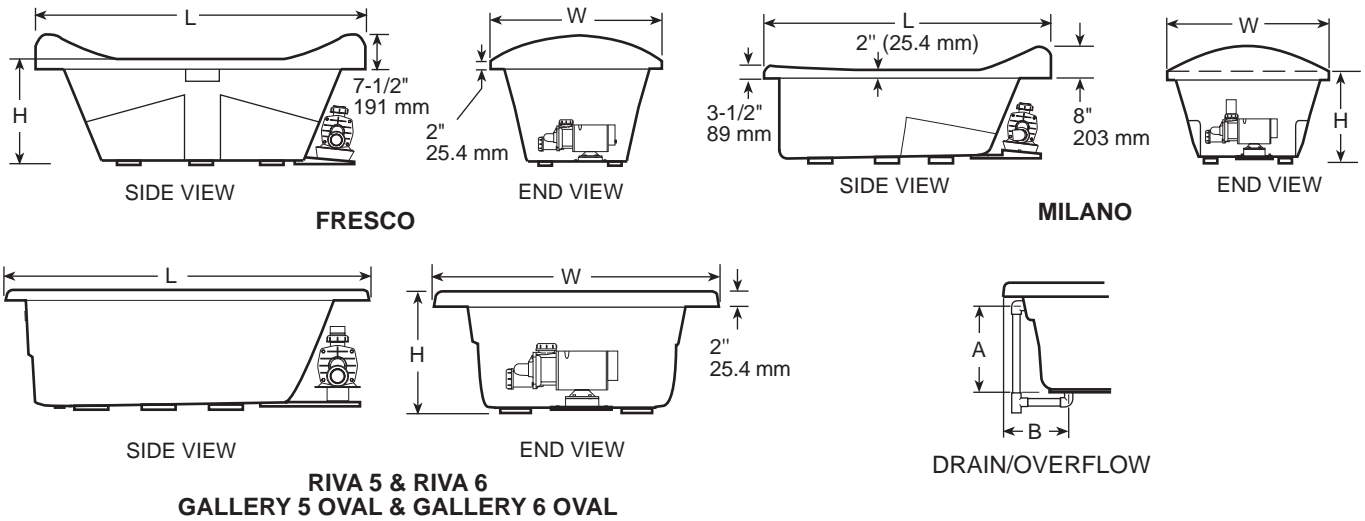
### FOR ALL UNITS:

**MOTOR/PUMP:** 115 VAC, 3450 RPM/10 AMP, 60 Hz Single phase.

**ELECTRICAL SERVICE REQUIREMENTS:** 115 VAC, 15 AMP, 60 Hz. RapidHeat: 115 VAC., 15 Amp, 60 Hz.

All require a dedicated GFCI protected separate circuit.

## RIMLESS OVAL BATHS



### SPECIFICATIONS (Oval)

MODEL	DIMENSIONS	DRAIN/OVERFLOW DIMENSIONS	CUTOUT	TOTAL WEIGHT/ FLOOR LOADING	OPERATING GALLONAGE	PRODUCT WEIGHT	SKIRT & MOUNTING	AVAILABILITY OF "RAPIDHEAT" IN LINE HEATER
<b>FRESCO™</b>	71-1/2" (1816 mm) L 42" (1067 mm) W 23-3/4" ( 603 mm) H	20-1/8" (511 mm) A 11-3/4" (299 mm) B	Template Provided	921 lb (419 kg)/ 44 lb/sq. ft. (220 kg/sq. m)	63 U.S. gal (239 liters)	146 lb (66 kg)	Not Available	Yes
<b>GALLERY™ 5 OVAL</b>	62" (1575 mm) L 43" (1092 mm) W 19" ( 483 mm) H	14-3/4" (375 mm) A 9-1/2" (241 mm) B	Template Provided	746 lb (339 kg)/ 40 lb/sq. ft. (195 kg/sq. m)	48 U.S. gal (182 liters)	96 lb (44 kg)	Not Available	Yes
<b>GALLERY™ 6 OVAL</b>	72" (1829 mm) L 42" (1067 mm) W 20-1/2" ( 521 mm) H	16" (406 mm) A 11-1/2" (292 mm) B	Template Provided	871 lb (395 kg)/ 42 lb/sq. ft. (205 kg/sq. m)	62 U.S. gal (235 liters)	105 lb (48 kg)	Not Available	Yes
<b>MILANO™</b>	72" (1829 mm) L 40" (1016 mm) W 20-3/4" ( 527 mm) H	18-1/2" (470 mm) A 11" (279 mm) B	Template Provided	893 lb (406 kg)/ 45 lb/sq. ft. (220 kg/sq. m)	60 U.S. gal (227 liters)	143 lb (65 kg)	Not Available	Yes
<b>RIVA™ 5</b>	62" (1575 mm) L 43" (1092 mm) W 19" ( 483 mm) H	14-3/4" (375 mm) A 9-1/2" (241 mm) B	Template Provided	746 lb (339 kg)/ 40 lb/sq. ft. (195 kg/sq. m)	48 U.S. gal (182 liters)	96 lb (44 kg)	Not Available	Yes
<b>RIVA™ 6</b>	72" (1829 mm) L 42" (1067 mm) W 20-1/2" ( 521 mm) H	16" (406 mm) A 11-1/2" (292 mm) B	Template Provided	871 lb (396 kg)/ 42 lb/sq. ft. (205 kg/sq. m)	62 U.S. gal (235 liters)	105 lb (48 kg)	Not Available	Yes

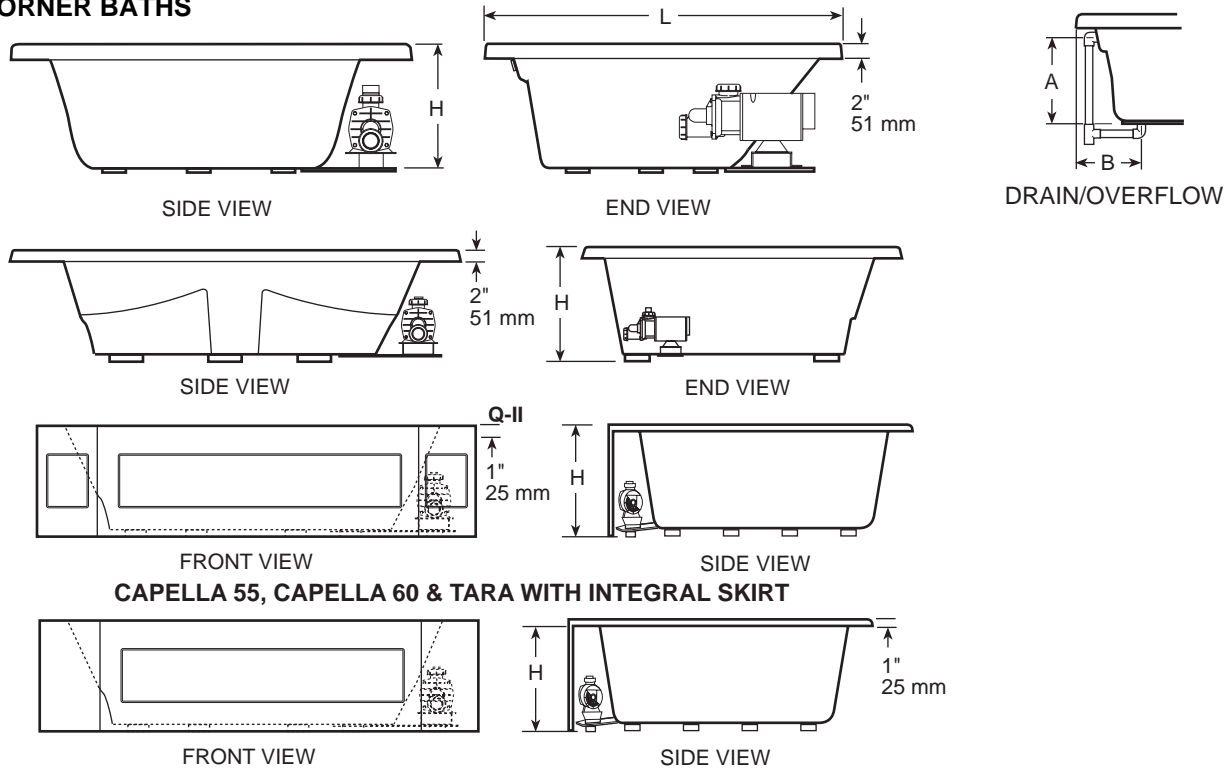
#### FOR ALL UNITS:

**MOTOR/PUMP:** 115 VAC, 3450 RPM/10 AMP, 60 Hz Single phase.

**ELECTRICAL SERVICE REQUIREMENTS:** 115 VAC, 15 AMP, 60 Hz. RapidHeat: 115 VAC., 15 Amp, 60 Hz.

All require a dedicated GFCI protected separate circuit.

## CORNER BATHS



CAPELLA 55, CAPELLA 60 & TARA WITH INTEGRAL SKIRT

CAPELLA SPACESAVER WITH INTEGRAL SKIRT

### SPECIFICATIONS (Corner)

MODEL	DIMENSIONS	DRAIN/OVERFLOW DIMENSIONS	CUTOUT	TOTAL WEIGHT/ FLOOR LOADING	OPERATING GALLONAGE	PRODUCT WEIGHT	SKIRT & MOUNTING	AVAILABILITY OF "RAPIDHEAT" IN LINE HEATER
CAPELLA™ 55	55" (1397 mm) L 55" (1397 mm) L 20-1/4" ( 514 mm) H	17-1/2" (445 mm) A 9-5/8" (245 mm) B	See Page 11	791 lb (360 kg)/ 38 lb/sq. ft. (185 kg/sq. m)	51 U.S. gal (193 liters)	116 lb (53 kg)	Optional	Yes
CAPELLA™ 55 WITH INTEGRAL SKIRT	55" (1397 mm) L 55" (1397 mm) L 20-1/2" ( 521 mm) H	18" (457 mm) A 12-1/8" (308 mm) B	NA	833 lb (379 kg)/ 40 lb/sq. ft. (195 kg/sq. m)	55 U.S. gal (208 liters)	125 lb (54 kg)	Integral	No
CAPELLA™ SPACESAVER WITH INTEGRAL SKIRT	60" (1524 mm) L 60" (1524 mm) L 20-1/2" ( 521 mm) H	18" (457 mm) A 12-3/8" (308 mm) B	NA	880 lb (400 kg)/ 35 lb/sq. ft. (171 kg/sq. m)	60 U.S. gal (227 liters)	130lb (59 kg)	Integral	No
CAPELLA™ 60	60" (1524 mm) L 60" (1524 mm) L 20-1/2" ( 521 mm) H	18" (457 mm) A 12-1/8" (308 mm) B	See Page 11	870 lb (395 kg)/ 35 lb/sq. ft. (171 kg/sq. m)	60 U.S. gal (227 liters)	120 lb (54 kg)	Not Available	No
CAPELLA™ 60 WITH INTEGRAL SKIRT	60" (1524 mm) L 60" (1524 mm) L 20-1/2" ( 521 mm) H	18" (457 mm) A 12-1/8" (308 mm) B	NA	880 lb (400 kg)/ 35 lb/sq. ft. (171 kg/sq. m)	60 U.S. gal (227 liters)	130 lb (59 kg)	Integral	No
GALLERY™ CORNER	60" (1524 mm) L 60" (1524 mm) L 22-1/2" ( 572 mm) H	18-1/8" (451 mm) A 12" (305 mm) B	See Page 11	984 lb (447 kg)/ 39 lb/sq. ft. (244 kg/sq. m)	74 U.S. gal (280 liters)	118 lb (54 kg)	Not Available	Yes
Q-II	60" (1524 mm) L 60" (1524 mm) L 22" ( 559 mm) H	18-1/2" (470 mm) A 12-1/4" (311 mm) B	See Page 11	888 lb (404 kg)/ 36 lb/sq. ft. (176 kg/sq. m)	62 U.S. gal (235 liters)	122 lb (55 kg)	Not Available	Yes
TARA™	60" (1524 mm) L 60" (1524 mm) L 20-3/4" ( 527 mm) H	16" (406 mm) A 12-3/8" (314 mm) B	See Page 11	984 lb (447 k/g)/ 39 lb/sq. ft. (190 kg/sq. m)	74 U.S. gal (280 liters)	118 lb (54 kg)	Optional	Yes
TARA™ WITH INTEGRAL SKIRT	60" (1524 mm) L 60" (1524 mm) L 20-3/4" ( 527 mm) H	16" (406 mm) A 12-3/8" (314 mm) B	NA	999 lb (454 kg)/ 40 lb/sq. ft. (195 kg/sq. m)	74 U.S. gal (280 liters)	133 lb (61 kg)	Integral	No

### FOR ALL UNITS:

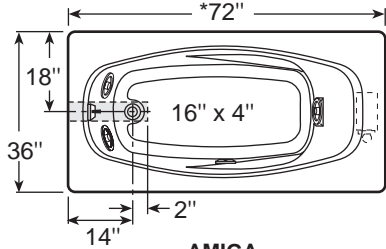
**MOTOR/PUMP:** 115 VAC, 3450 RPM/10 AMP, 60 Hz Single phase.

**ELECTRICAL SERVICE REQUIREMENTS:** 115 VAC, 15 AMP, 60 Hz. RapidHeat: 115 VAC., 15 Amp, 60 Hz.

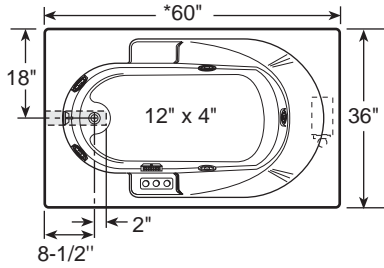
All require a dedicated GFCI protected separate circuit.

# ROUGHING-IN REFERENCE

Note: Unless otherwise specified, units are produced with left or right-hand versions.

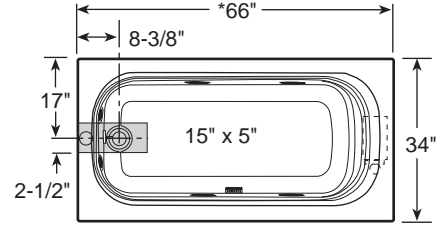


**AMIGA**  
AMIGA WITH INTEGRAL SKIRT

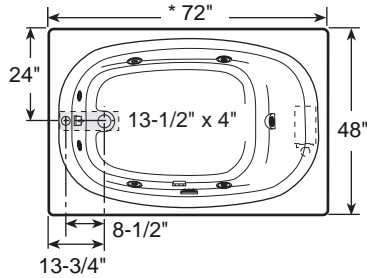


(Left-hand only as shown.)

**CIVA**

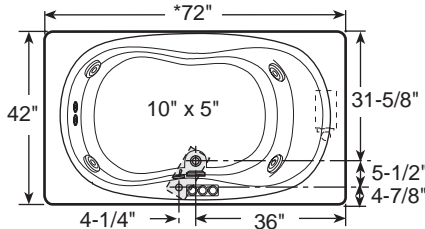


**LUXURA 5.5**



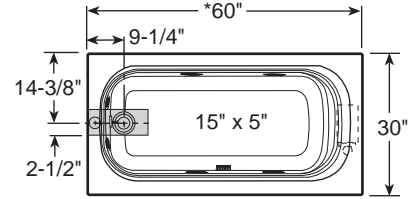
(Left-hand only as shown.)

**BIANCA**

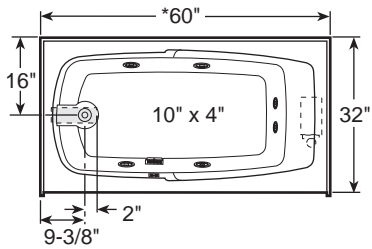


(Right-hand only as shown.)

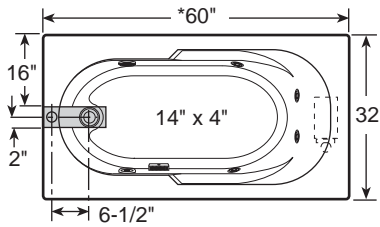
**EURA**



**LUXURA 530 WITH INTEGRAL SKIRT**

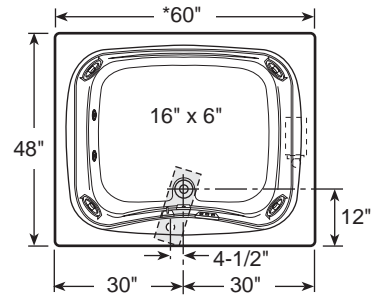


**CETRA WITH INTEGRAL SKIRT**



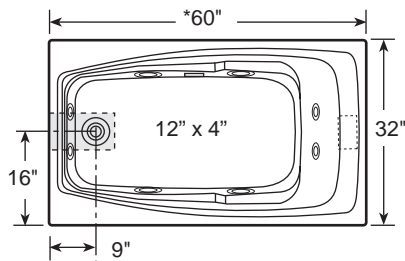
(Left-hand only as shown.)

**LUNA**

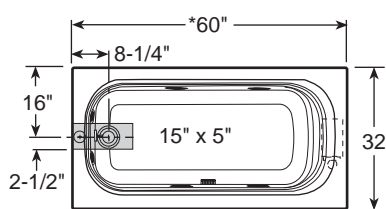


(Right-hand only as shown.)

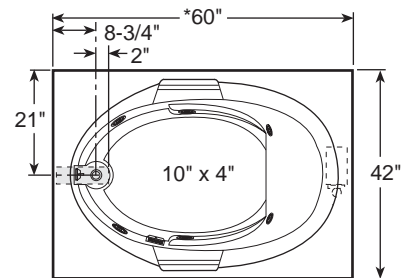
**MAGNA**



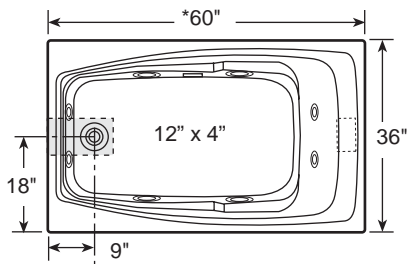
**CETRA 532**



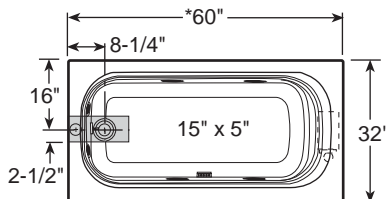
**LUXURA 5**



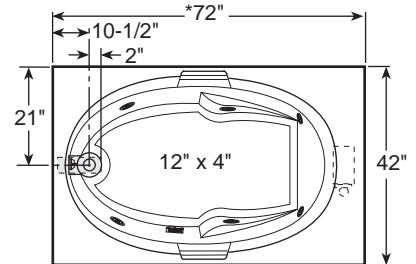
**MAJORA 5**



**CETRA 536 WITH INTEGRAL SKIRT**



**LUXURA 5 WITH INTEGRAL SKIRT**



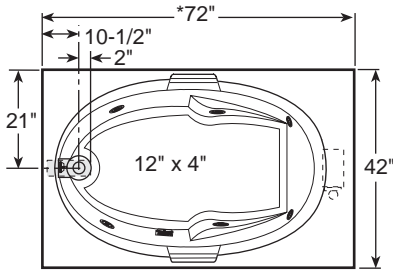
**MAJORA 6**

\*Add 1/4" to this dimension when roughing-in for 3-wall niche.

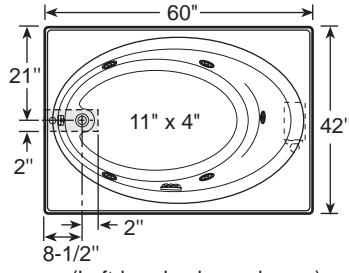
- Note: 1. Measurements inside each unit represent cutout in floor to allow for drain/overflow.  
2. All measurements are in inches. To convert to millimeters, multiply inches by 25.4.

## ROUGHING-IN REFERENCE

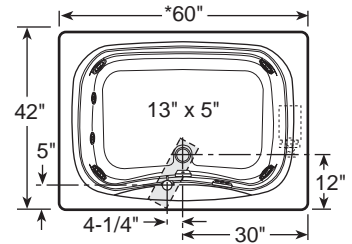
Note: Unless otherwise specified, units are produced with left or right-hand versions.



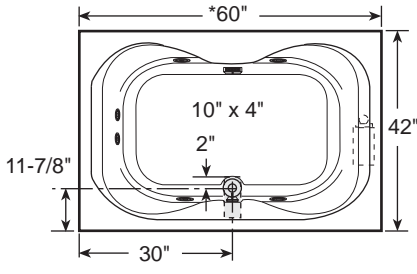
**MAJORA 6 WITH INTEGRAL SKIRT**



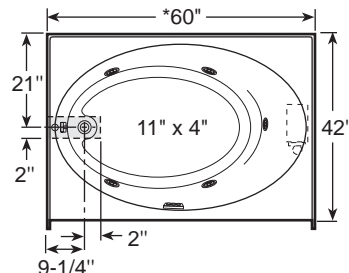
(Left-hand only as shown.)  
**NOVA 5 WITH 4 SIDED FLANGE**



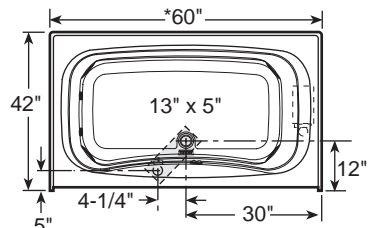
(Right hand shown.  
Left hand is a mirror image.)  
**SIGNA 5**



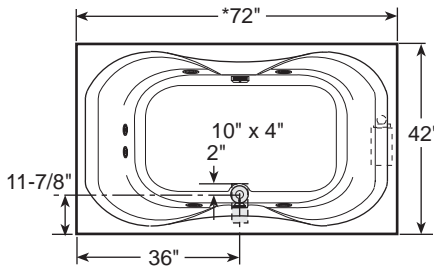
(Left- and right-hand  
determined by pump location.)  
**MITO 5**



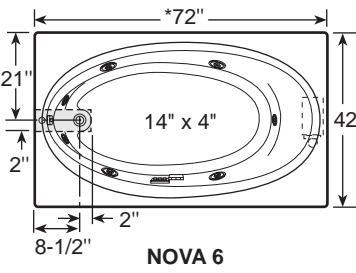
**NOVA 5 WITH INTEGRAL SKIRT**



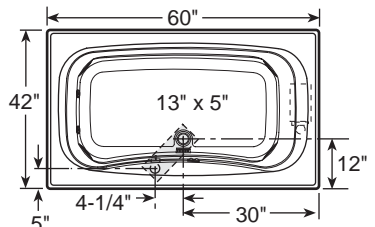
(Right hand shown.  
Left hand is a mirror image.)  
**SIGNA 5 WITH 3-SIDED FLANGE**



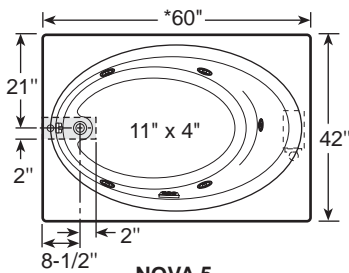
(Left- and right-hand  
determined by pump location.)  
**MITO 6**



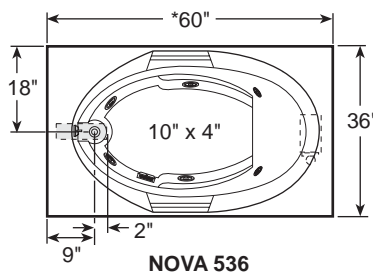
**NOVA 6**



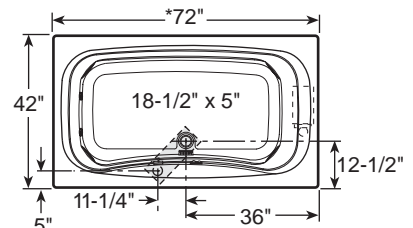
(Right hand shown.  
Left hand is a mirror image.)  
**SIGNA 5 WITH 4-SIDED FLANGE**



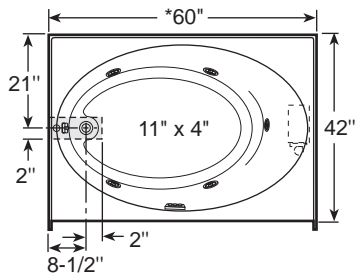
**NOVA 5**



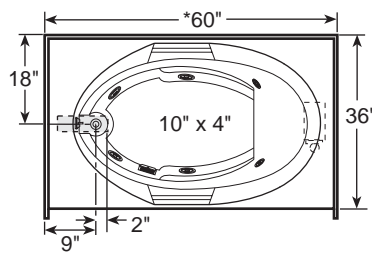
**NOVA 536**



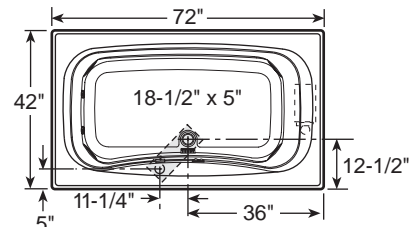
(Right hand shown.  
Left hand is a mirror image.)  
**SIGNA 6**



**NOVA 5 WITH 3-SIDED TILE FLANGE**



**NOVA 536 WITH INTEGRAL SKIRT**



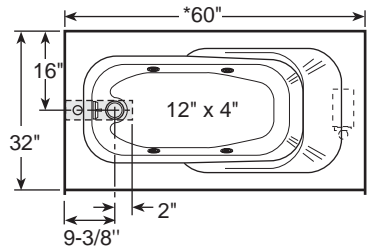
(Right hand shown.  
Left hand is a mirror image.)  
**SIGNA 6 WITH 4-SIDED FLANGE**

\*Add 1/4" to this dimension when roughing-in for 3-wall niche.

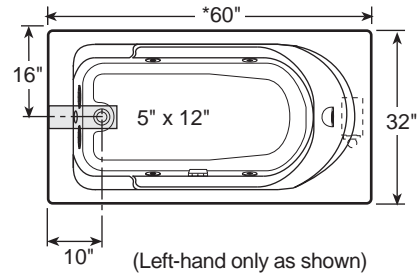
Note: 1. Measurements inside each unit represent cutout in floor to allow for drain/overflow.  
2. All measurements are in inches. To convert to millimeters, multiply inches by 25.4.

## ROUGHING-IN REFERENCE

Note: Unless otherwise specified, units are produced with left or right-hand versions.

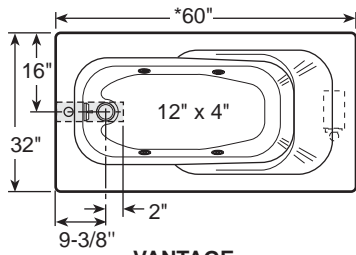


**VANTAGE WITH INTEGRAL SKIRT**

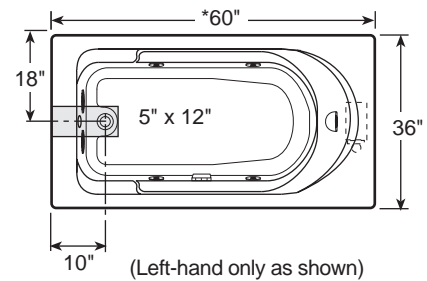


(Left-hand only as shown)

**VIANTE**



**VANTAGE**



(Left-hand only as shown)

**VIANTE 36**

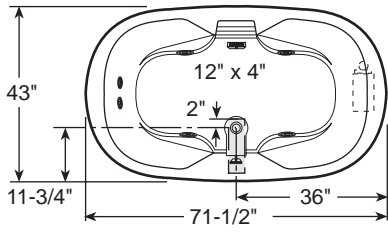
\*Add 1/4" to this dimension when roughing-in for 3-wall niche.

- Note:
1. Measurements inside each unit represent cutout in floor to allow for drain/overflow.
  2. All measurements are in inches. To convert to millimeters, multiply inches by 25.4.



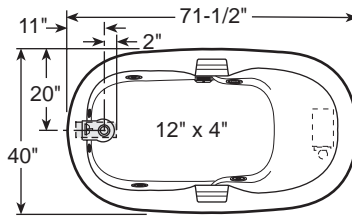
# ROUGHING-IN REFERENCE

Note: Unless otherwise specified, units are produced with left or right-hand versions.

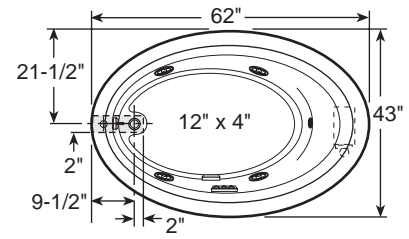


(Left- and right-hand determined by pump location.)

**FRESCO**

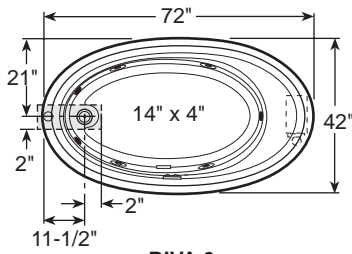


**MILANO**

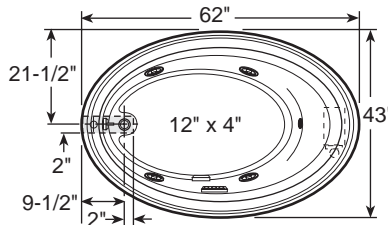


(Left-hand only as shown.)

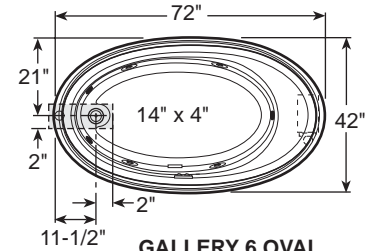
**RIVA 5**



**RIVA 6**

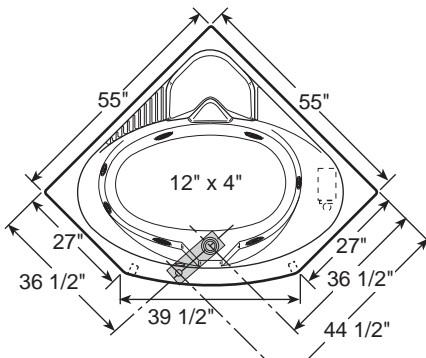


**GALLERY 5 OVAL**



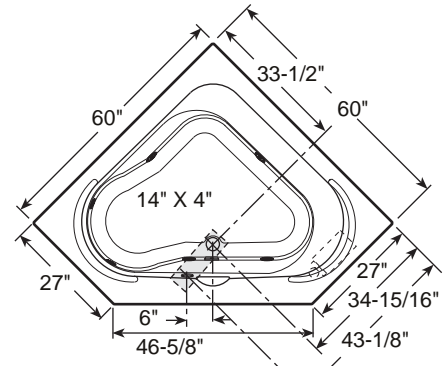
**GALLERY 6 OVAL**

**NOTE:** The Fresco, Milano, Riva 5, Riva 6, Gallery 5 and Gallery 6 have been provided with cutout templates included in shipping carton.



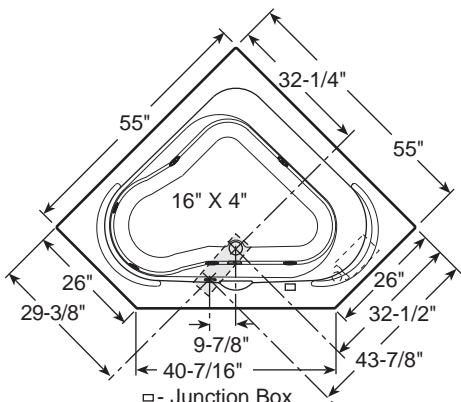
□ - 2" x 4" Stud  
(Right-hand only as shown.)

**CAPELLA 55**



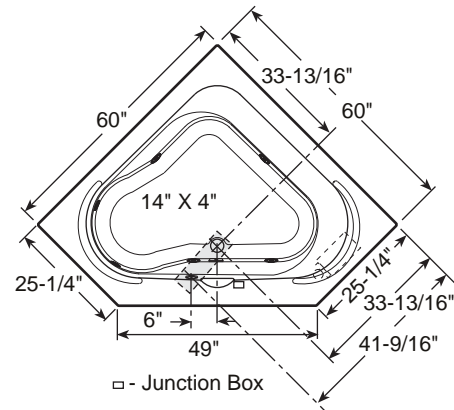
(Right hand shown. Left hand is a mirror image.)

**CAPELLA 60**



□ - Junction Box  
(Right-hand only as shown.)

**CAPELLA 55 WITH INTEGRAL SKIRT**

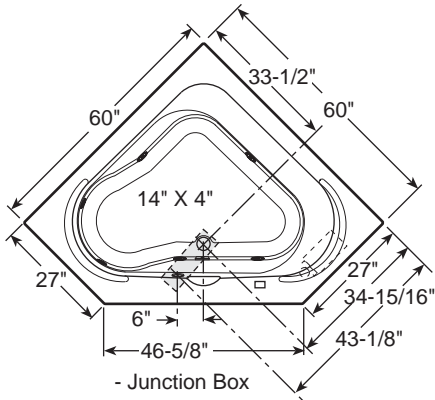


(Right hand only as shown.)

**CAPELLA SPACESAVER**

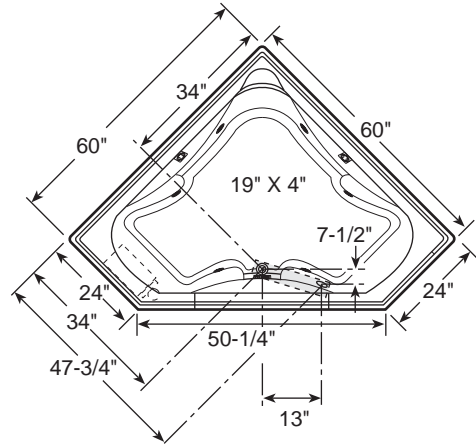
**ROUGHING-IN REFERENCE**

Note: Unless otherwise specified, units are produced with left or right-hand versions.



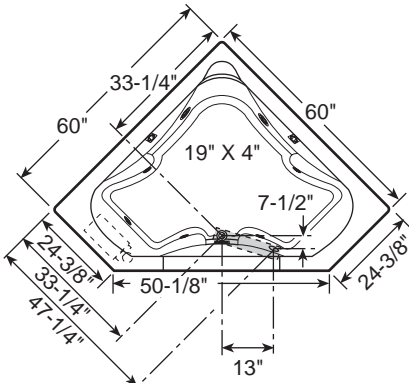
(Right-hand only as shown.)

**CAPELLA 60 WITH INTEGRAL SKIRT**



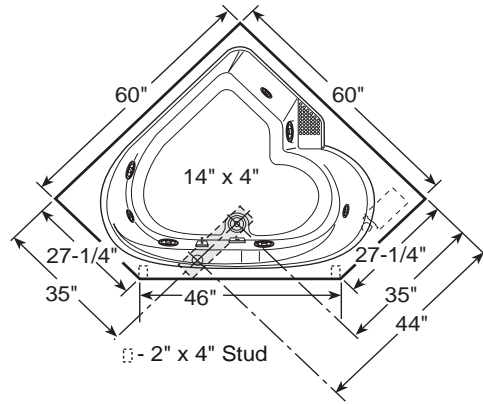
(Right hand shown. Left hand is a mirror image.)

**GALLERY CORNER**



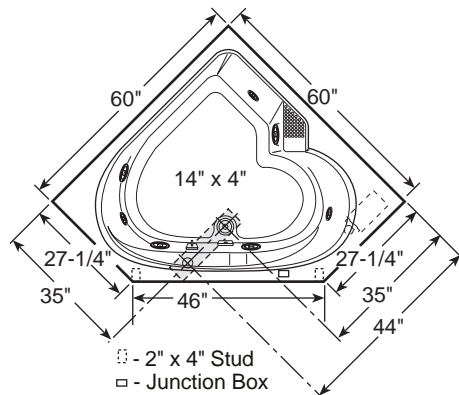
(Right hand shown. Left hand is a mirror image.)

**Q-II**



(Right hand shown. Left hand is a mirror image.)

**TARA**

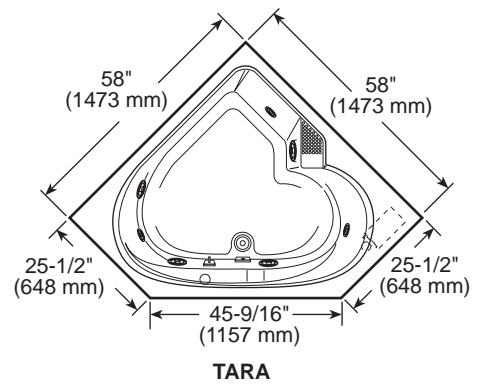
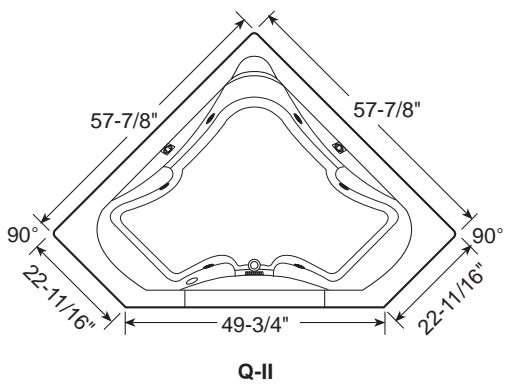
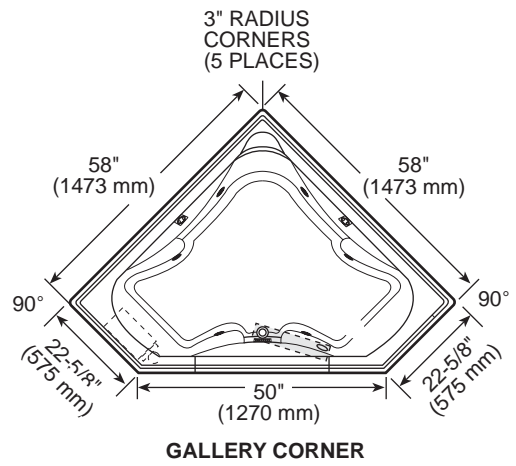
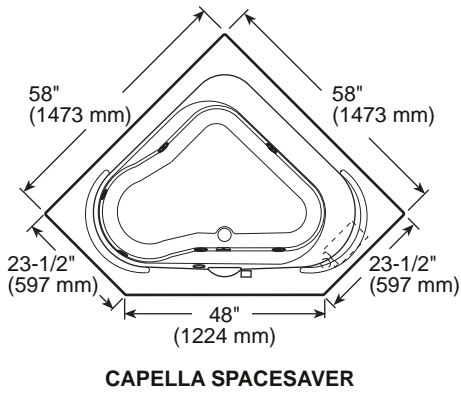
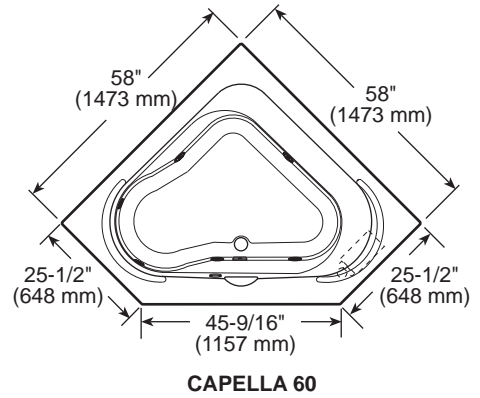
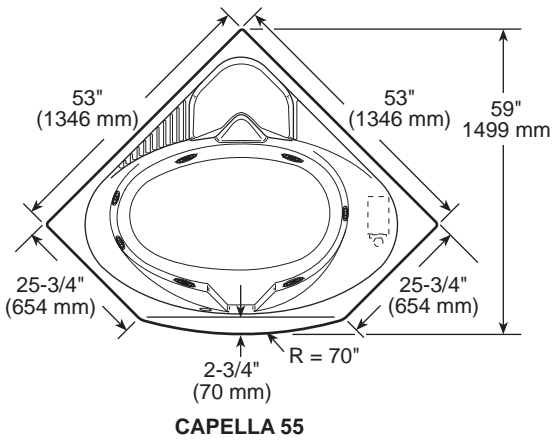


(Right hand only as shown.)

**TARA WITH INTEGRAL SKIRT**

- Note: 1. Measurements inside each unit represent cutout in floor to allow for drain/overflow.
- 2. All measurements are in inches. To convert to millimeters, multiply inches by 25.4.

# CORNER BATHS CUTOUT



## Framing and Support

The drain/overflow of the bath extends below the bottom of the bath. Note that this requires a cutout in the floor.

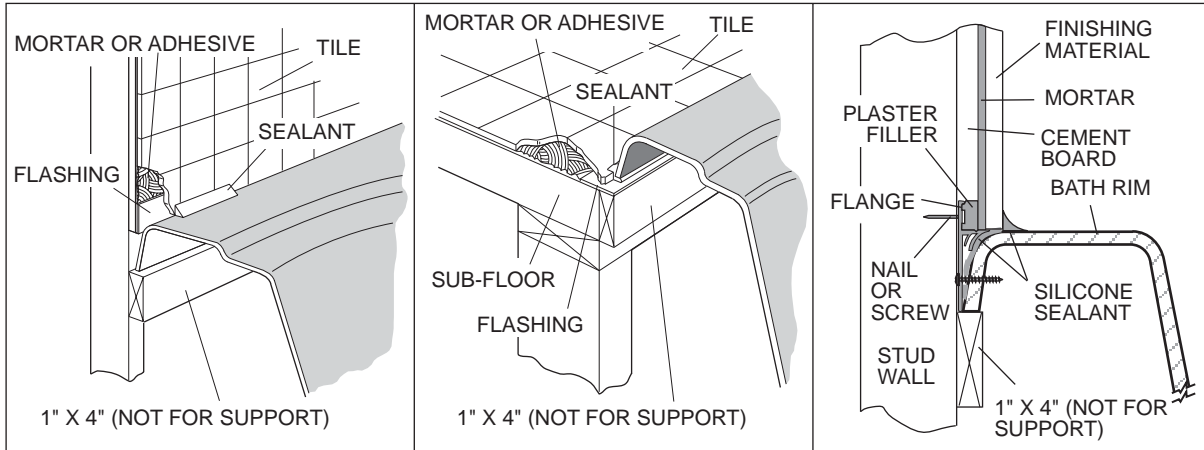
**The floor structure beneath the bath must be able to support a total weight of bath, water, and bather. Refer to the table under total weight for your model.** The unit must be supported from the bottom of the bath and **not** from the bath rim or tile flange. If the subfloor is level, no other preparation is necessary. You can proceed to install the bath. If the subfloor is not level, you **MUST** level the entire surface prior to installing the bath. The use of materials that shim or provide a level installation are allowed provided the method used will insure a level bath that is supported from the bottom. Materials that may be used are a floor leveling compound, mortar, plaster or minimal expansion structural foam having a density of a minimum of 5 lbs./cubic ft.; however the bath must remain level in order for it to drain properly and the foam feet must make full contact with the leveling material. Both sides of a joint or splice of subfloor should be level to each other. **When attaching baths with flanges to stud wall, use shims to fill any gaps between the bath flange and studs.**

The rim of the bath is not designed to support weight. If finish material is to overlap or contact the bath, the added weight must be fully self-supporting.

**The protective film liner inside the bath is used to prevent damage to the finish from shoes, tools, etc. during installation. Before installation, remove liner to inspect for any defects, reapply and do not remove until final cleanup.**

**Important: If a skirt is to be used, it must be installed at the time of unit installation – refer to skirt installation instructions.** Install optional trim parts when all installation has been completed.

### TYPICAL INSTALLATIONS

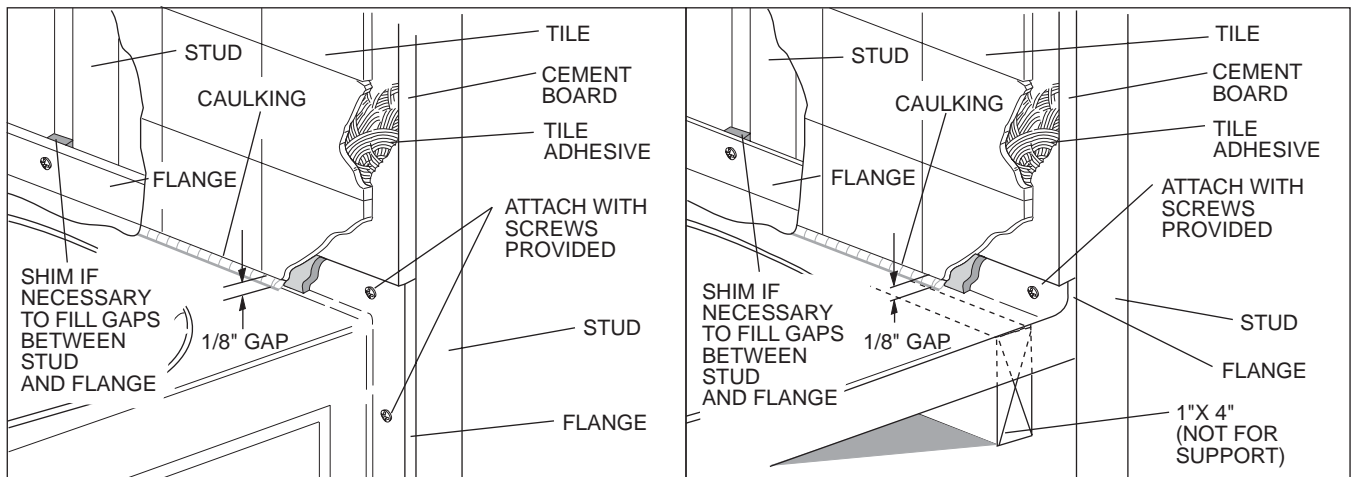


FLUSH TO WALL

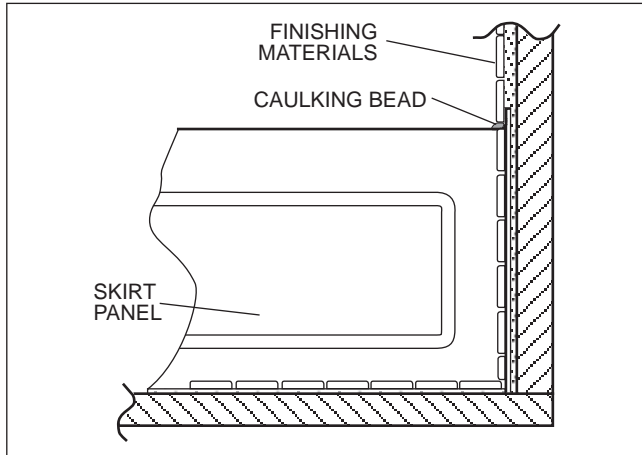
SEMI-SUNKEN

OPTIONAL TILE FLANGE KIT

### TYPICAL FLANGE MOUNTING DETAIL



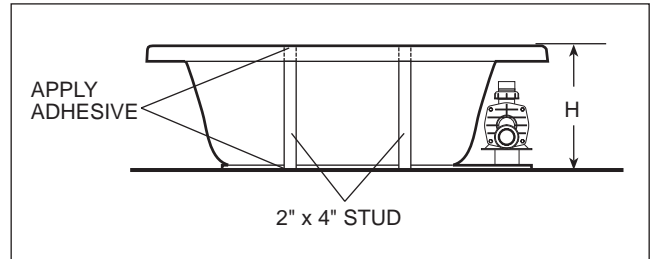
### INTEGRAL SKIRT MOUNTING DETAIL



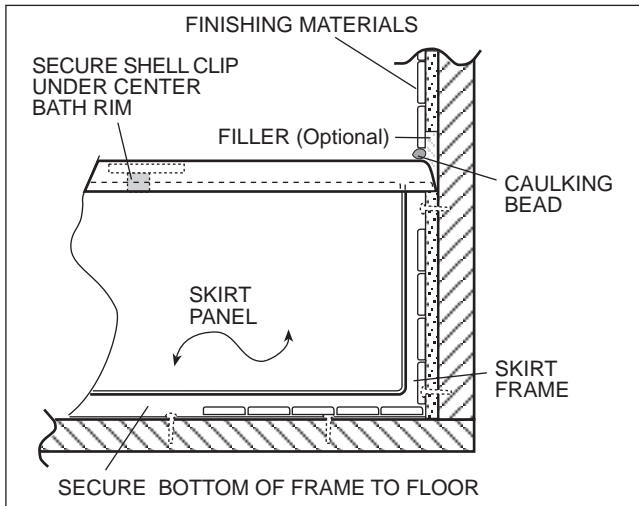
### Corner Baths with Skirt

If an optional skirt is used on a corner bath, additional support is necessary in the front of the unit. Measure the height from the floor to the underside of the bath rim. Cut two 2" x 4" studs, apply adhesive to both ends and install (see roughing in reference).

### SUPPORT FOR CORNER BATHS



### U FRAME SKIRT MOUNTING DETAIL



## Service Access

For partially or fully sunken installations, allow for access to service connections. It is the installer's responsibility to provide sufficient service access. The recommended minimum dimensions allowable for service to the bath are shown in the "Service Access" illustration.

Provide adequate area around unit for air circulation for cooling the motor and to supply sufficient air to the jets. Do not insulate this area or around motor.

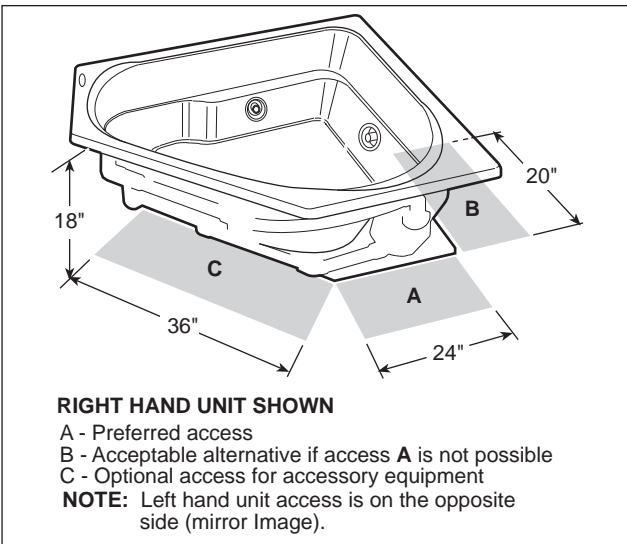
## Service Access with Skirt

An optional skirt fits along the side of the bath for above-floor installations and is also an access panel for servicing. Allow a space of at least 8 inches away from the bath for skirt removal.

The skirt is designed to accommodate the added height of the tile, linoleum, or other floor coverings up to 1-1/4 inches above the floor, and will be flush with the floor when installed.

More detailed instructions on skirt installation are provided with the optional skirt assembly.

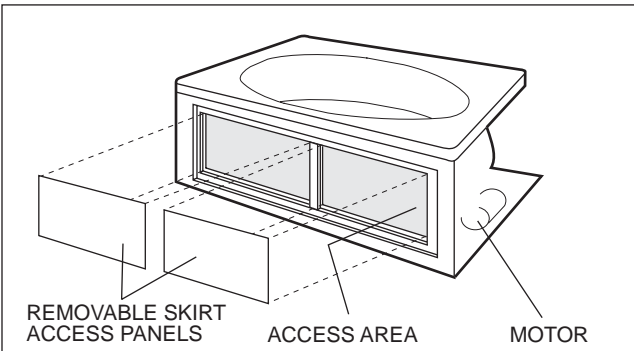
## SERVICE ACCESS (CORNER BATHS)



## Service Access with Integral Skirt

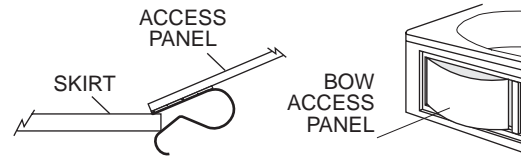
Service access is through the removable skirt panels.

## SERVICE ACCESS (WITH INTEGRAL SKIRT)

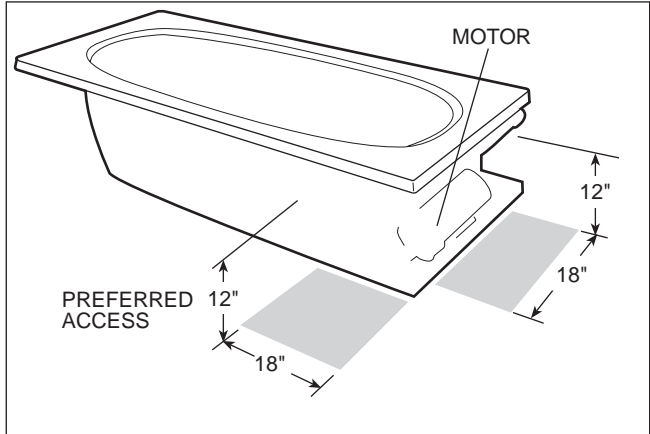


## Reinstalling Panel

Hold at an angle to the skirt and insert clip under edge of skirt opening. Bow the panel outward and insert clip on other side.



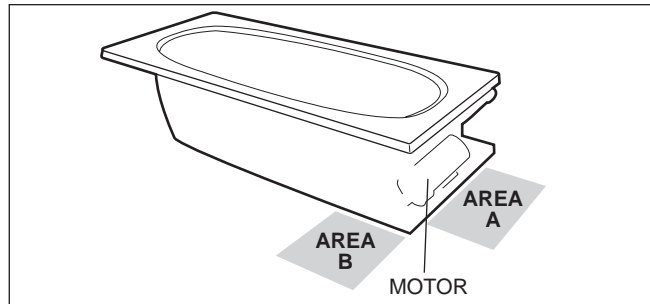
## SERVICE ACCESS (WITHOUT SKIRT)



In some cases, access may not have been provided because of the design of the bath environment and having full understanding that in this case, it may be necessary to remove the unit for service.

If this is the case, diagnosing a problem may not be possible without complete access to the plumbing system. This would necessitate the removal of the unit. Although this practice is not commonly implemented, it is an acceptable method.

## SERVICE ACCESS



In some cases access may have been provided in Area A but service is required in Area B which requires the unit to be pulled for service and reinstalled.

**If service access has not been provided, it is the home owners responsibility to remove the bath and provide the required access, should a repair become necessary.**

## Electrical Connections

A separate circuit, which must be protected by a Ground Fault Circuit Interrupter (GFCI), is required. Install a duplex outlet to the studwall underneath the bathtub, at least 4 inches above the floor. The duplex outlet is not provided. Because these units are manufactured with a safe, convenient Magic Touch whirlpool ON/OFF switch on the bath itself, no remote switch or timer is necessary. If an optional timer is desired, one is available from Jacuzzi Whirlpool Bath for 115 VAC operation.

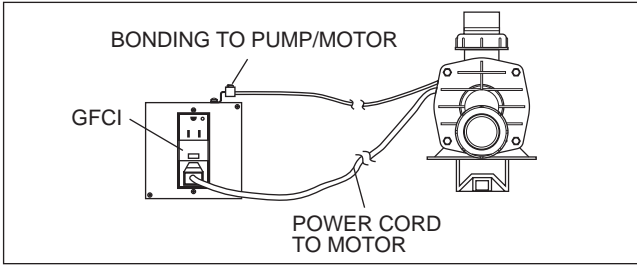
**DANGER: RISK OF ELECTRIC SHOCK.** Connect only to a circuit protected by a Ground Fault Circuit Interrupter.

**CAUTION:** Operating the motor/pump without enough water in the bath can cause leaking and permanent damage to the pump. Before power is applied to the installation, make sure the switch is in the OFF position to avoid pump damage.

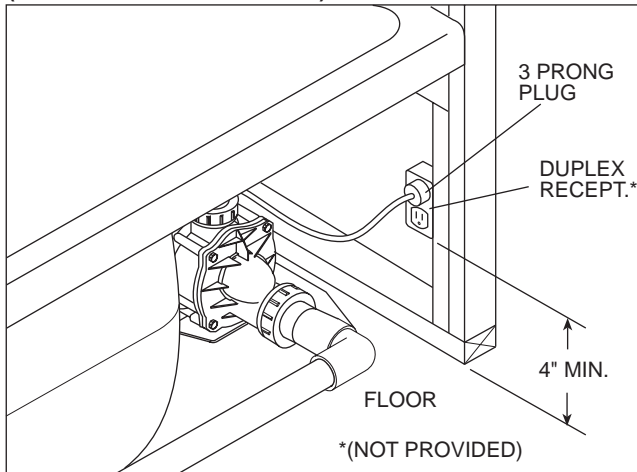
On the Capella 55 with integral skirt, Capella 60 with integral skirt, Capella Spacesaver with integral skirt and Tara with integral skirt a duplex junction box has been provided. To access, remove skirt access panel. See top views for location.

A separate GFCI protected outlet (not provided) is required for pump/motor and is to be installed in the junction box. The junction box is to be hard wired. The motor is bonded to the junction box at the factory.

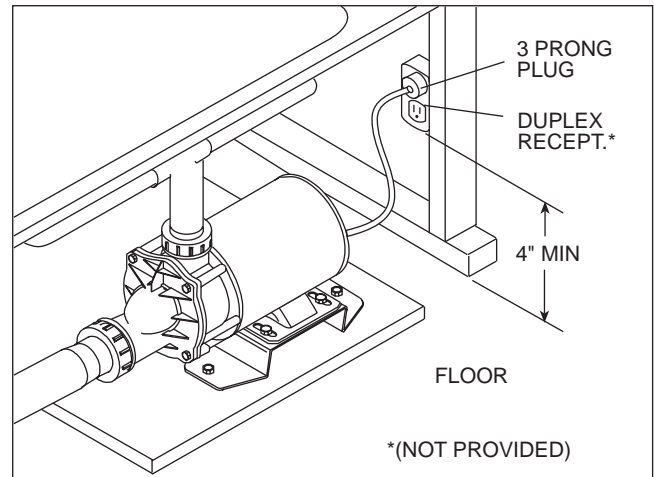
### CAPELLA 55, CAPELLA 60, CAPELLA SPACESAVER & TARA JUNCTION BOX



### ELECTRICAL CONNECTION (FOR SIDE/END DRAIN BATHS)



### ELECTRICAL CONNECTION (FOR CORNER BATHS)

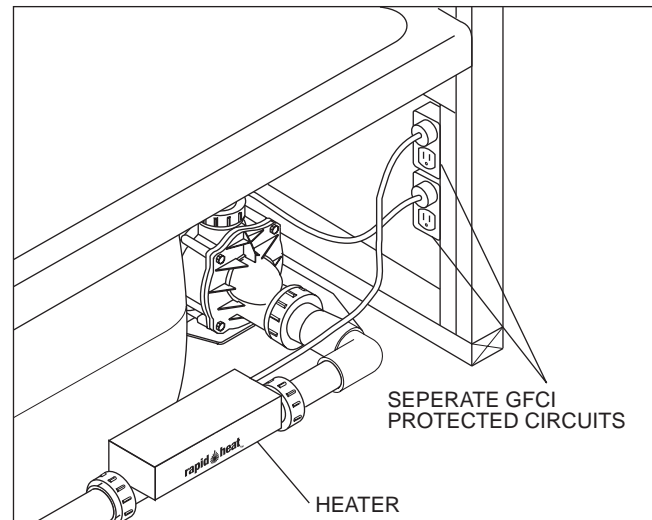


### Electrical Connection RapidHeat

Before installing electrical connection, inspect the heater nameplate and determine if you have a 120 VAC or a 240 VAC unit (240 VAC unit not available in U.S.A.). Install a separate 120 VAC 15 AMP or 240 VAC 15 AMP dedicated circuit with GFCI protection. With a #8 solid copper wire, bond the heater to the house electrical panel or approved local bond. A bonding lug is provided on the heater.

At initial start-up and before each use thereafter with power ON, push the GFCI test button. The reset button should pop out. Push this button in to reset. If the interrupter fails to operate in this manner, there is a ground current flowing or a device malfunction, indicating the possibility of electrical shock. **Turn off power and do not use the bath until the source of the problem has been identified and corrected.**

### ELECTRICAL CONNECTION RAPIDHEAT



## Electrical Connections (Canada only)

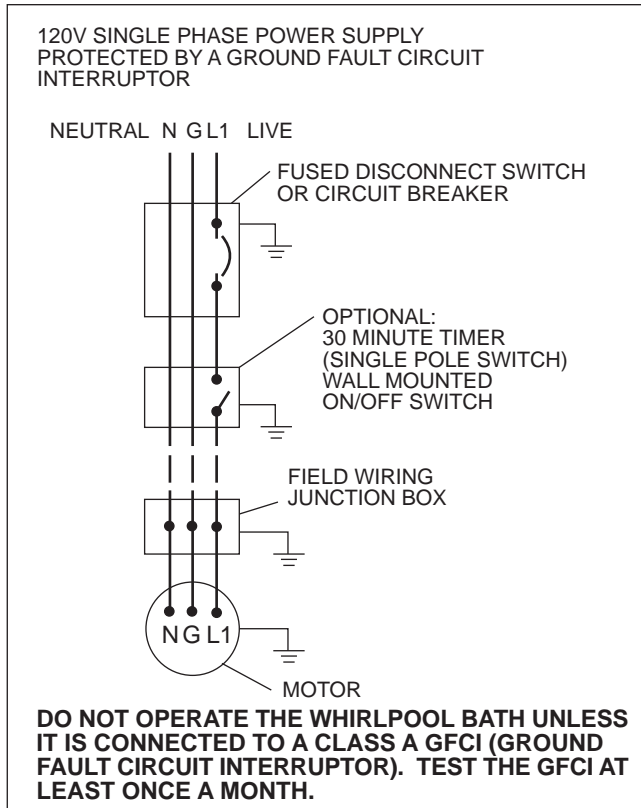
The electrical installation is subject to inspection and approval by the local inspection authority. Employ a licensed electrician to connect the equipment to the supply in accordance with the local electrical code. Check that the power supply available corresponds to that required by the motor.

The whirlpool bath must be connected to a separate 120VAC, 15AMP, single-phase circuit or a separate 120VAC, 20AMP, single-phase circuit (refer to the table for your model). The RapidHeat heater must be connected to a separate 120VAC, 15AMP, single-phase circuit. Use No. 14 AWG wire, or heavier, to run a separate fused circuit from the distribution panel. Note that protection of the circuit by a ground fault circuit interrupter is mandatory under the Canadian Electrical Code, Part 1, Section 68. Ground fault circuit interrupters are available from your local electrical supplier.

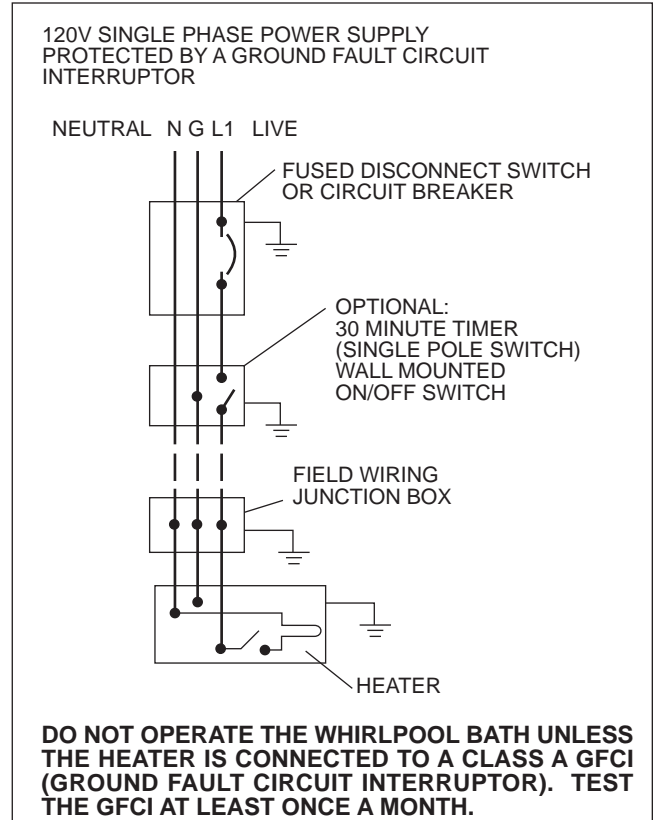
**DANGER: RISK OF ELECTRIC SHOCK. Connect only to a circuit protected by a Ground Fault Circuit Interrupter.**

**CAUTION: Operating the motor/pump without enough water in the bath can cause leaking and permanent damage to the pump. Before power is applied to the installation, make sure the switch is in the OFF position to avoid pump damage.**

### WIRING DIAGRAM BATH (CANADA ONLY)



### WIRING DIAGRAM RAPIDHEAT (CANADA ONLY)





## Drain Information

A drain/overflow assembly (sold separately) must be installed on the bath, water tested, and connected to the sanitary system of the house. After opening the carton, inspect for damage and verify that the kit is of the proper finish. In the Jacuzzi Whirlpool Bath drain/overflow kit, note that the waste flange, strainer, overflow cover and cover screws are packaged in a separate package within the kit to protect the trim finish. Follow the installation instructions provided with the drain/overflow kit. After the drain is fully installed, test for proper drainage. If the unit does not drain properly, rectify this condition before proceeding with the installation. Jacuzzi Whirlpool Bath is not responsible for removal and or reinstallation costs.

**NOTE: Watertight installation of the drain is the installer's responsibility. Drain leakage is excluded from the Jacuzzi Whirlpool Bath warranty of this product.**

## Plumbing

Pump, jets, and suction fittings for the whirlpool system are factory plumbed in schedule 40 PVC piping.

All Jacuzzi Whirlpool Bath products are factory tested for proper operation and watertight connections prior to shipping. If leaks are detected, notify your Jacuzzi Whirlpool Bath Dealer. Do not install the unit.

## Water Supply

Consult local authorities for plumbing code requirements in your area.

**IMPORTANT: Proper installation of the fill spout plumbing and compliance with local codes are the responsibility of the installer. Jacuzzi Whirlpool Bath does not warrant connections of water supply fittings and piping, fill systems, or drain/overflow systems. Nor is it responsible for damage to the bath which occurs during installation.**

**CAUTION: A nonflammable protective barrier must be placed between soldering work and bath unit to prevent damage to the bath.**

## Clean-Up After Installation

To avoid dulling and scratching the surface of the bath, never use abrasive cleaners. A mild liquid detergent and warm water will clean soiled surfaces.

Remove spilled plaster with a wood or plastic edge. Metal tools will scratch the surface. Spots left by plaster or grout can be removed if lightly rubbed with detergent on a damp cloth or sponge.

Paint, tar, or other difficult stains can be removed with paint thinner, turpentine, or isopropyl alcohol (rubbing alcohol).

Minor scratches which do not penetrate the color finish can be removed by lightly sanding with 600-grit wet/dry sandpaper. You can restore the glossy finish to the acrylic surface of the bath with a special compound, Meguiar's #10 Mirror Glaze. If that is not available, use automotive rubbing compound followed by an application of automotive paste wax.

Major scratches and gouges which penetrate the acrylic surface will require refinishing. Ask your Jacuzzi Whirlpool Bath dealer for special instructions.

## OPERATION

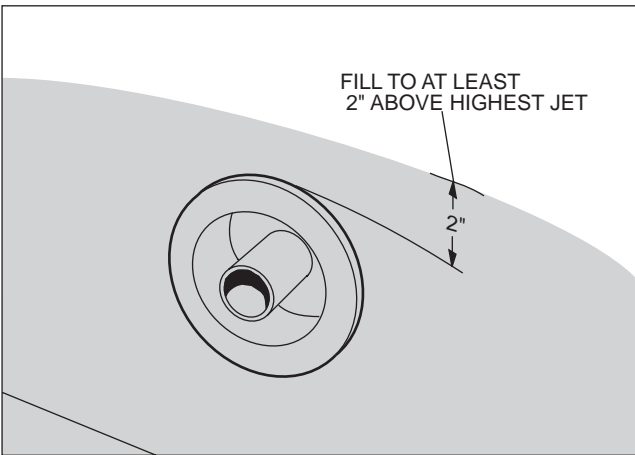
**Note:** These instructions pertain to all bath products manufactured by Jacuzzi Whirlpool Bath. Not all features discussed in this instruction pamphlet apply to all baths.

All baths manufactured by Jacuzzi Whirlpool Bath are designed for "fill and drain," which means the bath should be drained after each use and filled with fresh water by the next bather. This is a health precaution, as these baths are not designed to hold water continuously like pools or spas. If you want a unit designed to continuously hold water, see your Jacuzzi Whirlpool Bath dealer for the complete line of whirlpool spas available.

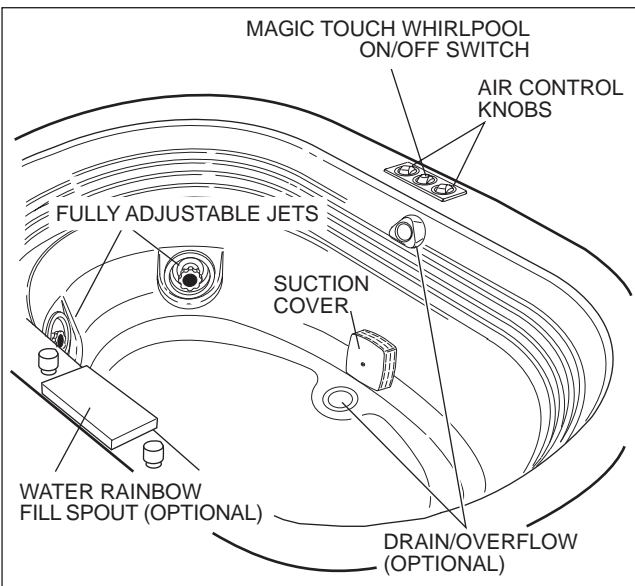
Once the bath is installed, remove any residue or foreign materials left over from construction. Use turpentine or paint thinner to remove stubborn stains, paint or tar. Other dirt can be cleaned off with a mild liquid detergent on a damp cloth. Scrape off plaster with a wooden or plastic edge; **do not use metal scrapers, wire brushes or other metal tools, as they will damage the bath's surface.**

### Water Level

Close the drain and fill the bath until water is at least 2" above the highest jet (see water line indicated in the illustration). **Do not turn on the whirlpool system at any time if the jets are not completely immersed in water.** Running the whirlpool system when there is insufficient water in the bath could result in water spraying outside the bath area. Running the whirlpool system without water will damage the recirculating pump.



### TYPICAL BATH FITTINGS

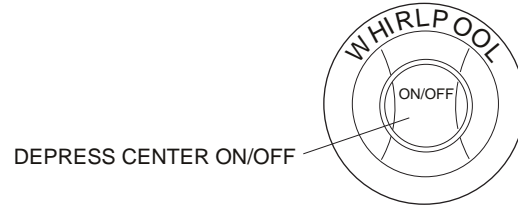


## Magic Touch® Whirlpool Switch

The Magic Touch whirlpool ON/OFF switch, conveniently located on the bath, allows you to turn the whirlpool system on and off while in the bath. Simply push down on the switch button to turn on the whirlpool system. To turn the system off, push down on the button again.

If your bath has an optional Jacuzzi Whirlpool Bath wall mounted timer, set it for the amount of time you wish the whirlpool to operate. Note: when you desire less than 10 minutes of whirlpool action, it is necessary to turn the timer knob clockwise past the number 10 and then back to the desired amount. If the whirlpool action does not begin when the timer is correctly set, it is necessary to push the Magic Touch switch button.

### WHIRLPOOL ON/OFF SWITCH



### RapidHeat Operation

Once the heater is installed and the whirlpool pump is operating, the heating function is totally automatic. The heater will help maintain the temperature of the water in the bath.

### Vacuum Switch

The heater is equipped with a preset vacuum switch which will not allow the heater to turn ON if the pump is not running with water flowing through the whirlpool system.

### High-Limit Switch

The heater includes an exclusive High-Limit switch. This safety circuit will not false trip from hot tap water. It will only turn off the heater if the thermostat fails. To reset, press the button. If the high-limit trips frequently, contact your dealer.

## Controlling Whirlpool Action

The whirlpool action in your bath is influenced by three factors – direction of flow, force of water, and force of air. All baths manufactured by Jacuzzi Whirlpool Bath are equipped with fully adjustable PowerPro® jets, which are adjustable for all three factors. Some baths have additional directionally adjustable jets which can be adjusted for direction and flow of air only.

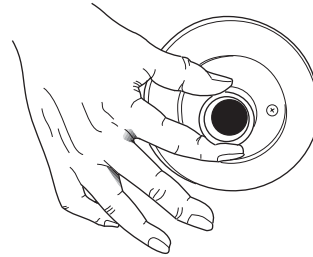
**Direction:** To change the direction of the water flow, swivel the jet nozzle to the desired angle. The jets can be directed individually toward any location on your body to provide a hydromassage. The jets can also be adjusted so that they all point in the same direction (clockwise or counterclockwise) to circulate the water in a circular motion around the bath, causing a total whirlpool effect.

**Water Force:** The high volume, fully adjustable jets can be adjusted to control the force of the water coming into the bath. For robust action, increase the force of the flow by rotating the jet handles to the left (counterclockwise). For a more gentle effect, rotate the handles to the right (clockwise). **Never run the whirlpool system with all the jets closed.**

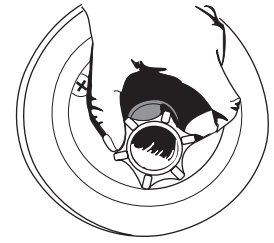
**Force of Air:** Two knobs located on the bath serve as controls for the air induction system. The intensity of the hydromassage whirlpool action is determined by the amount of air inducted into the water. As the amount of air is increased, the hydromassage action increases. For maximum air induction, rotate the control knobs fully counterclockwise to the largest circles. For fewer air bubbles, decrease the amount of air induction by rotating the control knob clockwise. When the knobs are turned to the smallest circles, only water is being circulated.

## JETS

DIRECTIONALLY  
ADJUSTABLE

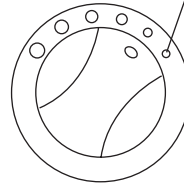


FULLY  
ADJUSTABLE

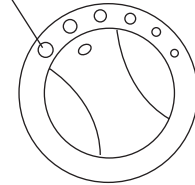


## AIR INDUCTION CONTROLS

TURN CLOCKWISE TO  
REDUCE AIR FLOW



TURN COUNTER-CLOCKWISE  
TO INCREASE AIR FLOW



## Cleaning the Bath

To clean your bath, simply use a mild, nonabrasive liquid detergent solution. You can protect and restore the gloss to a dulled acrylic surface by applying Meguiar's #10 Mirror Glaze, a product specifically designed for use on acrylic finishes. If Meguiar's is not available, an acrylic polish of equal quality or automotive paste wax is acceptable.

**Never use abrasive household cleaners on any Jacuzzi Whirlpool Bath product.**

## Repairs to the Surface

Minor scratches which do not penetrate the color finish can be removed by lightly sanding with 600-grit wet/dry sandpaper. Restore the gloss using Meguiar's Mirror Glaze or automotive paste wax.

Major scratches and gouges which penetrate the acrylic surface will require refinishing. Ask your Jacuzzi Whirlpool Bath dealer for special instructions.

## Purging the Whirlpool System

**NOTE: THE WHIRLPOOL SYSTEM SHOULD BE PURGED AT LEAST TWICE A MONTH**

To remove accumulations of bath residue from the whirlpool system, it is recommended that a whirlpool bath be purged at least twice a month. For best results, however, we recommend that you purge your whirlpool bath after each use using our exclusive two-part plumbing system cleaner made specifically for whirlpool baths. Systems Clean™ is available through an authorized Jacuzzi Whirlpool Bath Distributor or by calling us direct at 1-800-288-4002. Instructions for use: Immediately after bathing and exiting the whirlpool bath, leave the bath water in the tub and add hot water, if necessary, so the water is at least 2" above the highest jet. Turn on the unit without the aerator. Pour the contents of the Systems Clean Packet 1 (taking care not to get the material on yourself) into the bath near the intake for the circulation pump. Repeat same process with Systems Clean Packet 2. **It is important to use Packet 1 before Packet 2 to avoid a strong odor.** Run the bath for 5 to 10 minutes. Drain completely and rinse any residue.

If you have followed the standard purging instructions above and still have an excess accumulation of bath residue and desire an alternative cleaning mechanism, we recommend **SUPER SYSTEMS CLEAN PLUS** manufactured by Stearns Packaging to rectify this condition. This may be obtained by contacting us at 1-800-288-4002. It is recommended that you follow the instructions provided by the manufacturer with the product. Repeated use may be necessary. **SUPER SYSTEMS CLEAN PLUS** does not replace the necessity to regularly purge your whirlpool system with Systems Clean as recommended.

(For additional information about water content, contact us for a copy of the Jacuzzi Water Quality Primer.)

## Bath Additives

**NOTE: DO NOT USE OIL OR OIL BASED BATH ADDITIVES.**

If you want to use any kind of bath additive, use only a small amount of low-foaming powder or crystal substance; the whirlpool action intensifies the foaming properties of soaps.

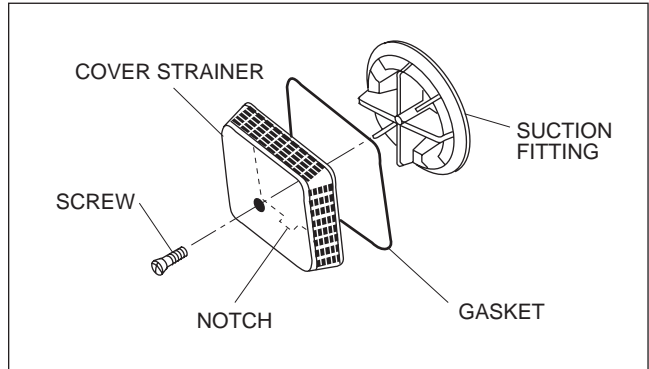
The use of certain bath oils, bubble baths and bath additives may increase the level of accumulations of bath residue in the whirlpool system. If excess accumulations persist, you should discontinue use of these products.

## Suction Cover/Strainer Maintenance

Clean the suction cover/strainer of hair and debris when necessary. To do this, remove the center screw and detach the square cover. Clean the cover by backflushing debris from the holes. Replace the suction cover immediately after cleaning. When reinstalling, orient the cover/strainer with the small notch at the bottom. The gasket must be inserted into the groove of the cover/strainer before reinstalling onto the suction fitting.

**CAUTION: Keep hair a minimum of 6 inches away from the suction fitting at all times when the whirlpool system is operating. Hair longer than shoulder length should be secured close to the head, or a bathing cap should be worn. Do not operate the whirlpool system with the suction cover removed! It is a safety device and must always be in place on the suction fitting to minimize the potential hazard of hair and body entrapment.**

### SUCTION COVER/STRAINER ASSEMBLY

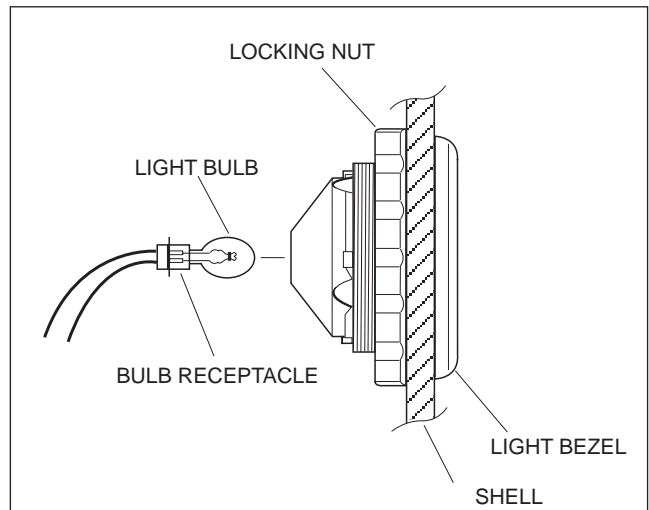


## Lamp

An optional lamp kit is available from your Jacuzzi Whirlpool Bath dealer for installation on your bath.

When the bulb burns out, replace it from the **back** of the lamp fitting, on the underside of the shell, by pulling out the bulb receptacle. Replacement bulbs (12V, 7W) are available from your Jacuzzi Whirlpool Bath dealer.

### LIGHT BULB REPLACEMENT



## General Whirlpool Bath Trouble Shooting Guide

PROBLEM	PROBABLE CAUSES	REMEDY
Pump/Motor does not start.	No power to pump/motor.	Reset GFCI.
	Pump/motor not plugged in.	Insert plug fully into outlet.
	Magic Touch switch - air tube not connected to switch or to air switch on pump/motor.	Reconnect tube to Magic Touch switch or to air switch pump/motor.
	Pump/motor faulty.	Replace pump/motor assembly.
Pump/Motor operates but no fully adjustable jets are functioning.	Jets are closed.	Open jets by rotate counterclockwise.
	Suction cover may be clogged.	With motor turned off, remove safety cover and remove any debris. <b>Replace suction cover before operating.</b>
Pump/Motor operates but air is not injected into water.	Air valves closed.	Open air control valves.
Pump/motor does not shutoff.	Magic Touch switch - air tube not connected to switch or to air switch on pump/motor.	Reconnect tube to Magic Touch switch or to air switch pump/motor.
	If a wall timer is used, the timer is defective	Replace timer.
Water leakage from pump unions.	Unions may be cracked, overtightened, O-ring may be pinched or improperly seated, under tightened.	Untighten unions check and reseal O-ring. If O-ring has been pinched out of shape, replace. When tightening union nuts, <b>hand tighten only</b> .
Pump/motor shuts off by itself or with wall timer, before set time elapses.	Motor thermal protection has deactivated pump/motor due to overheating. (Supply voltage low.)	Let motor cool; thermal protection will reset. Check for proper ventilation. (Check supply voltage.)
	GFCI tripped.	Reset GFCI. If it continues to trip do not use this unit. Disconnect the unit and have the problem corrected by a licensed electrician before using.
	Inadequate supply wiring.	Consult a licensed electrician to correct wiring to unit.

Note: If unit is within the warranty period, contact Jacuzzi Whirlpool Bath Service Support at (800) 288-4002 with bath's serial number before work is started

# REPAIR PARTS

## BMH JET



BMH JET ASSEMBLY 8489XXX



- RETAINER NOZZLE 8412XXX\*
- NOZZLE BMH 8413XXX\*
- O RING 8488000
- INTERNAL O RING SEAT 8487XXX\*
- JET BODY 8411XXX\*
- LOCK NUT 8415000
- SCREWS (2) 7514000

## HTC JET



HTC JET ASSEMBLY B785XXX



- SCREWS (2) 9356000
- CLAMPING RING B788XXX\*
- SWIVEL HTC B788XXX\*
- GASKET 1840000
- HTC BODY A320XXX\*
- BACKUP RING 1836000
- LOCK NUT 1835000

**\*Individual parts only available in:**

**White (940)**

**Almond (914)**

**Oyster (969)**

**Assemblies available in all colors.**

### Additional Color Codes

**Silver (945)**

**Black (917)**

**Rose (949)**

**Shell (951)**

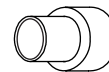
**Forest Green (978)**

**Sky Blue(984)**

**Sand (999)**



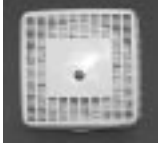
1/2" SLIP PLUG T471000



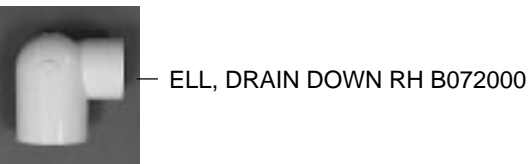
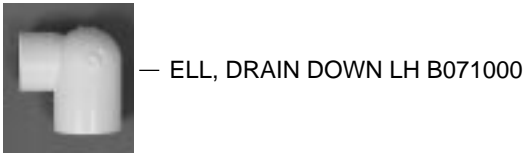
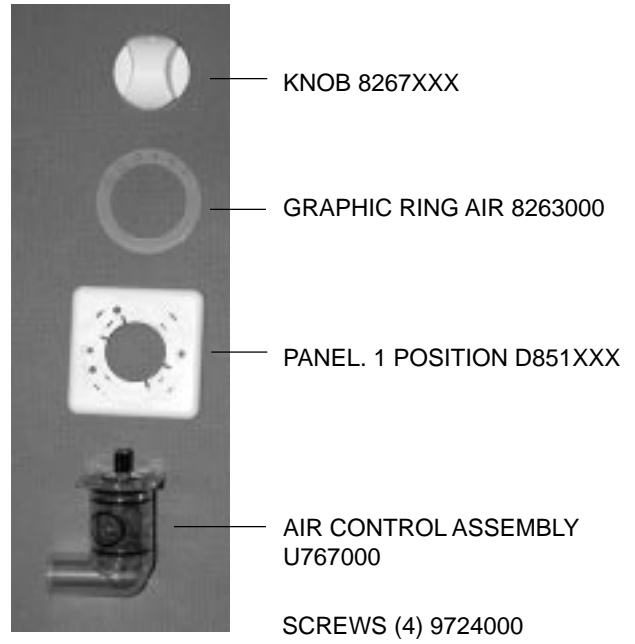
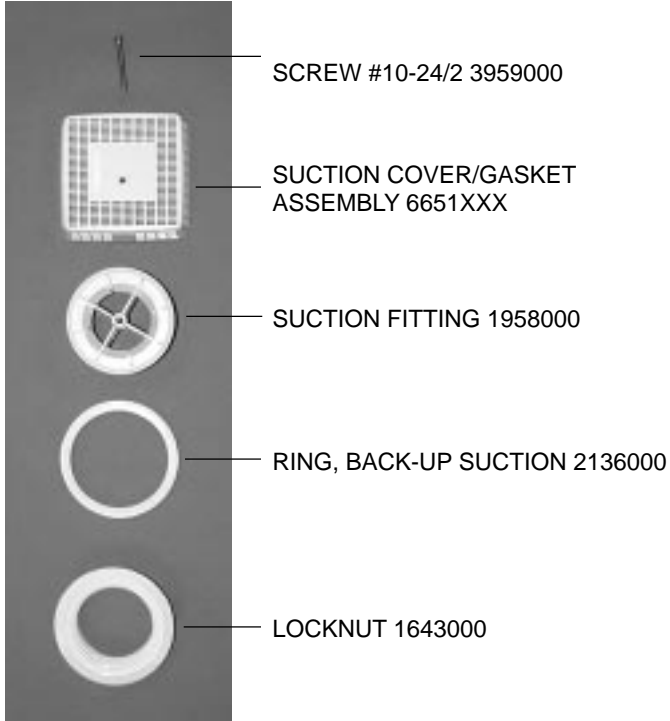
ADAPTOR, 1/2" S X SPGT  
C279000

# REPAIR PARTS

## SUCTION ASSEMBLY

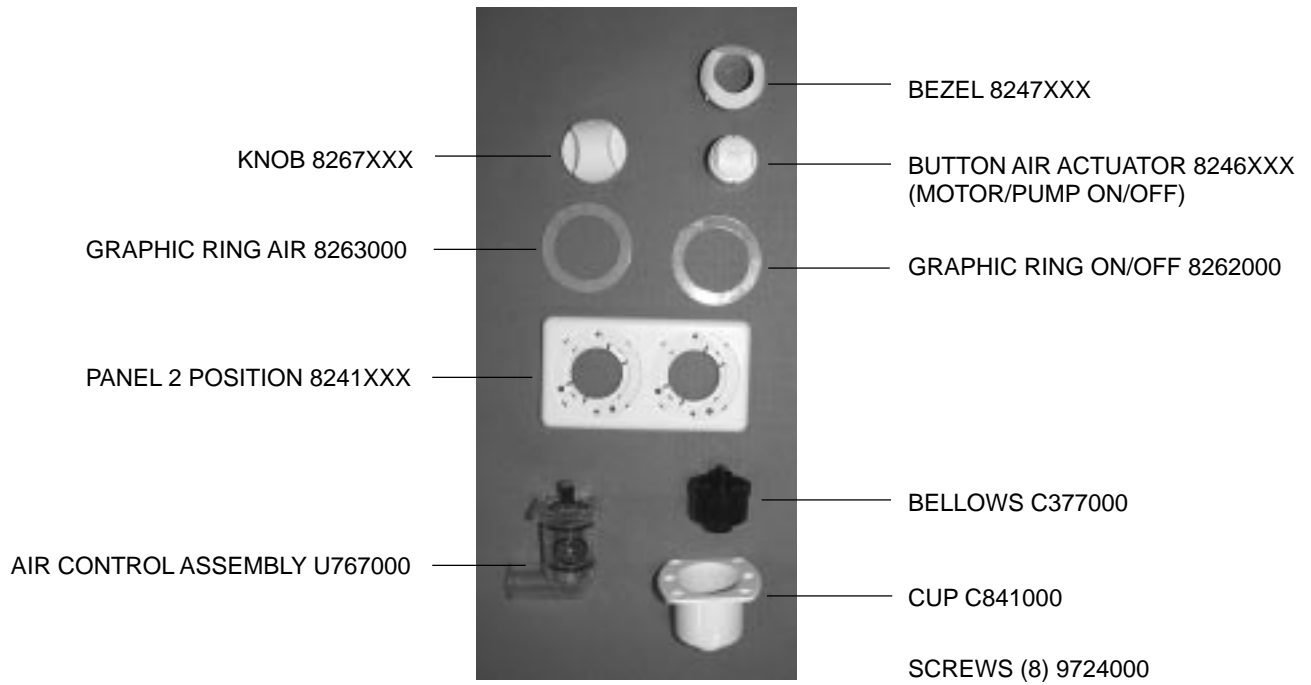


## 1 POSITION AIR CONTROL



# REPAIR PARTS

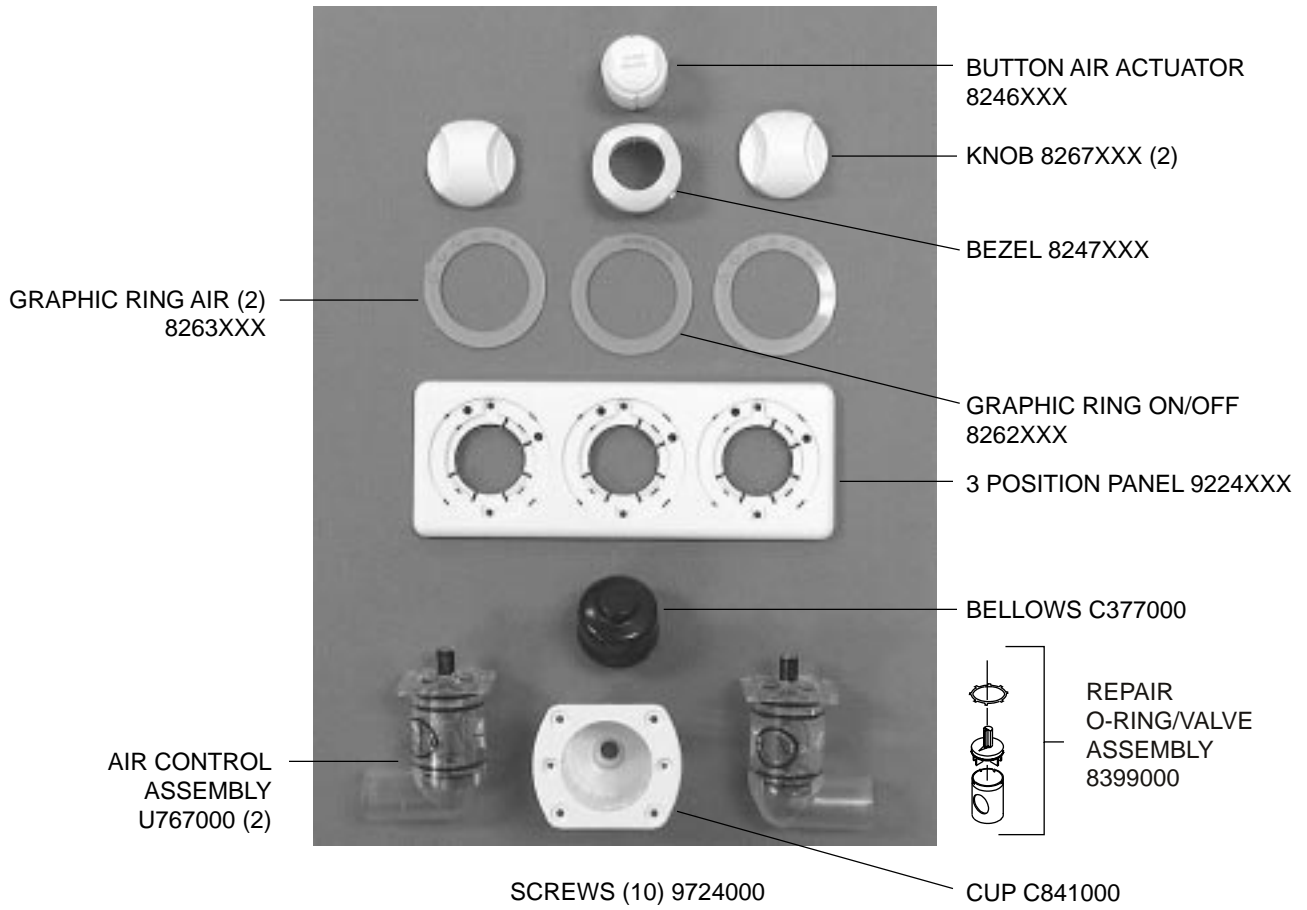
2 POSITION CONTROLLER  
(AIR & PUMP/MOTOR ON/OFF)





# REPAIR PARTS

## 3 POSITION PANEL

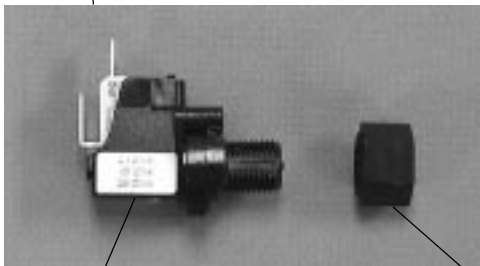
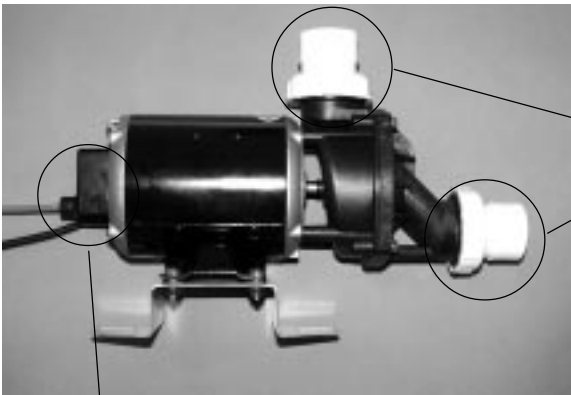


# REPAIR PARTS



RAPIDHEAT REPAIR HEATER  
SUCTION SIDE S749000  
UNION GASKETS (2) G947000

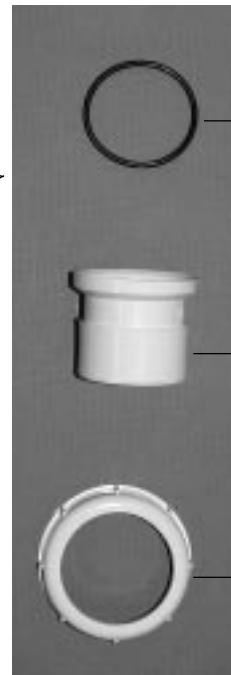
MOTOR/PUMP ASSEMBLY WITH BRACKET  
10A 115V 60 HZ H412000



SWITCH AIR ACTUATED 7396000

STRAIN RELIEF AIR SWITCH N186000

UNION REPAIR KIT 9250000:



O-RING 9231000

ADAPTOR UNION 9234000

NUT UNION 9233000

**PRODUCT SPECIFICATIONS ARE SUBJECT TO CHANGE WITHOUT NOTICE.**

**USE INSTALLATION INSTRUCTIONS SUPPLIED WITH PRODUCT.**

Jacuzzi Whirlpool Bath has obtained applicable code (standards) listings generally available on a national basis for products of this type. It is the responsibility of the installer/owner to determine specific local code compliance prior to installation of the product. Jacuzzi Whirlpool Bath makes no representation or warranty regarding, and will not be responsible for any code compliance.

## JACUZZI WHIRLPOOL BATH

Jacuzzi Whirlpool Bath National Headquarters  
P.O. Drawer J, Walnut Creek, CA 94596 (925) 938-7070  
Service Support: (925) 938-7411



Printed on Recycled Paper

©1996 Jacuzzi Whirlpool Bath K272000Z 12/11/03

Printed in the U.S.A.

# Jacuzzi Whirlpool Bath Limited Warranty Builder Group Bath Product

## WARRANTY COVERAGE

Jacuzzi Whirlpool Bath (the "Company") offers the following express limited warranty to the original purchaser of any Jacuzzi Whirlpool Bath Builder Group Bath Product ("unit") who purchases the product for personal or single family use ("user"). The Company will repair or replace, at its option, the unit or its equipment in accordance with the following terms and conditions.

### ONE YEAR LIMITED WARRANTY ON BATHS

Our limited warranty on Builder Group Bath products is for one (1) year. Our warranty covers the unit and factory-installed components (e.g., pump, motor) against defects in material or workmanship. Warranty coverage begins on the date the unit was originally purchased by the user.

### FIVE YEAR (PARTS ONLY) LIMITED WARRANTY ON PUMP AND MOTOR

Our limited warranty on the pump and motor is for five (5) years for parts only. Warranty coverage begins on the date the unit was originally purchased by the user.

### NINETY DAY (PARTS ONLY) LIMITED WARRANTY ON OPTIONS AND ACCESSORIES

Our limited warranty on options and accessories manufactured by the Company is for ninety (90) days for parts only. Our warranty covers options and accessories manufactured by the Company (e.g., fill spout kits, trim kits, skirts) against defects in material or workmanship. Warranty coverage begins on the date the option or accessory was originally purchased by the user.

## WARRANTY LIMITATIONS

Our limited warranty does not cover defects, damage, or failure caused by the common carrier, installer, user, or other person, or resulting from, without limitation, any of the following: careless handling (lifting unit by plumbing, abrading finish, etc.) including its own negligence; modification of any type for any reason (including modification to meet local codes); improper installation (including installation not in accordance with instructions and specifications provided with the unit); connections supplied by the installer of the equipment; improper voltage supply or unauthorized electrical modification; misuse; incorrect operation, or lack of proper routine maintenance; operation of the unit without specified minimum amount of water or at inappropriate water temperature; use of abrasive or improper cleaners; or acts of God, such as lightning, floods, earthquakes, etc.

In addition, THE COMPANY WILL NOT BE RESPONSIBLE FOR INCIDENTAL OR CONSEQUENTIAL DAMAGES or losses arising from any cause (e.g., water damage to carpet, ceiling, loss of use, etc.) including its own negligence; damages to, respecting, or resulting from: plated parts when pool and/or spa chemicals are used in the unit; optional bath equipment not manufactured by the Company but supplied by Dealer, installer or the Company; the unit's prior usage as an operational display; or defects that should have been discovered before installation. This limited warranty does not include: labor, transportation, or other costs incurred in the removal and/or reinstallation of the original unit and/or installation of a replacement unit; any costs relating to obtaining access for repair; or loss of use damage, including loss of sales, profit or business advantage of any kind under any circumstances. Bath units are excluded from any warranty coverage if any addition, deletion, or modification of any kind whatsoever has been made to the unit (or to any component).

Warranty coverage is provided in the United States of America and Canada.

## EXCLUSION OF IMPLIED WARRANTIES

IMPLIED WARRANTIES OF MERCHANTABILITY AND FITNESS FOR A PARTICULAR PURPOSE ARE DISCLAIMED ALTOGETHER OR TO THE FULL EXTENT ALLOWED BY LAW.

NOTICE: This warranty gives you specific legal rights, and you may also have other rights which vary from state to state. There are no warranties applicable to Jacuzzi Whirlpool Bath products except as expressly stated herein or as implied by applicable state and federal laws. The Company will not be responsible for any statements or representations made in any form that go beyond, are broader than or are inconsistent with any authorized literature or specifications furnished by the Company.

Some states do not allow limitations on how long an implied warranty lasts, or the exclusion or limitation of incidental or consequential damages, so the above limitations and exclusions may not apply to you.

## RETURN OF WARRANTY CARD

The attached Warranty Registration Card MUST be filled out by the purchaser within thirty (30) days from purchase and mailed to Jacuzzi Whirlpool Bath in order for this warranty to become effective.



Jacuzzi Whirlpool Bath  
P.O. Drawer J  
Walnut Creek, CA 94596-9885

## RESPONSIBILITIES OF OTHERS

Inspecting the unit prior to installation is the responsibility of the installer or building contractor who acts on behalf of the user. They are responsible for ensuring the unit is free of defect or damage. Notices are placed on and in the unit and on the shipping carton advising the installer of this responsibility. In the event of a problem, the unit must not be installed. The Company is not responsible for failures or damage that could have been discovered, repaired, or avoided by proper inspection and testing prior to installation.

Damage occurring in transit is the responsibility of the carrier. The user or installer MUST open the crate and inspect the unit for damage when it is delivered. If damage is discovered, it must be reported immediately to the seller and the carrier in writing, and an inspection requested. Failure of the carrier to respond should be reported to the seller and the carrier. Your freight claims should be filed promptly thereafter.

It is the responsibility of the installer, building contractor, or user to provide access for service. The Company is not responsible for any costs relating to obtaining access for repair. The user shall bear such costs and, if appropriate, must seek recovery from the installer.

Damage occurring to the unit during installation is the responsibility of the installer and/or building contractor and damage occurring thereafter is the responsibility of the user.

Failure of any optional equipment is the sole responsibility of the equipment manufacturer. (Options and accessories manufactured by the Company are warranted for ninety (90) days from the original date of purchase for parts only.)

The Distributor or Dealer is responsible for knowing local code requirements and notifying the installing contractor and/or user of these requirements at the time of purchase. The Company is not responsible for costs to modify any product to obtain any code approval, such as city, county, or state building codes in U.S.A. or municipal or provincial codes in Canada.

## WARRANTY SERVICE

For the customer's benefit, the Company maintains a list of independent service personnel to perform required warranty service repairs. Such firms are not agents or representatives of the Company and cannot bind the Company by words or conduct.

The Company will provide the warranty service described above when the following conditions have been met: the failure is of the nature or type covered by the warranty; the user has informed an Authorized Jacuzzi Whirlpool Bath Service Agent or Warranty Service Department Representative of the nature of the problem during the warranty period; conclusive evidence (e.g., proof of purchase or installation) is provided to the foregoing by the user proving that the failure occurred or was discovered within the warranty period; an authorized independent service person or Company representative has been permitted to inspect the unit during regular business hours within a reasonable time after the problem was reported by the user.

In order to obtain warranty service, consult your local telephone book for the location of the nearest Jacuzzi Whirlpool Bath Authorized Service Agent. Describe the problem and the Authorized Service Agent will inspect the unit and provide the required warranty service.

If you are unable to contact a Jacuzzi Whirlpool Bath Authorized Service Agent, call or write:

Jacuzzi Whirlpool Bath  
Warranty Service Department  
P.O. Drawer J  
Walnut Creek, California 94596  
Call: 1-(925) 938-7411

To obtain warranty replacement for factory-installed components for Company supplied options and accessories manufactured and supplied by the Company, call or write the above. Provide a description of the problem and proof of purchase. You will be instructed how to obtain replacements and where to return, at your expense, the failed component(s), option(s), or accessory(ies).

All replacement parts, equipment, and repairs shall assume the remaining warranty period of the part(s) replaced.

The Company's warranty obligation shall be discharged upon tender of replacement or repair. The customer's refusal to accept the tender terminates the Company's warranty obligation.

©1988 Jacuzzi Whirlpool Bath K272000Z 12/11/03

Ninety-Day  
Parts Only  
Limited Warranty  
On  
Accessory(ies)



### Warranty Registration Card

This card must be filled out and returned to the address printed on the other side within thirty (30) days from date of purchase in order for this warranty to be come effective.

Purchaser's Name \_\_\_\_\_  
 Purchaser's Address \_\_\_\_\_  
 City \_\_\_\_\_ State \_\_\_\_\_ Zip \_\_\_\_\_  
 Date of Purchase \_\_\_\_\_  
 Model Name \_\_\_\_\_  
 Serial Number \_\_\_\_\_  
 Dealer's Name \_\_\_\_\_  
 Dealer's Address \_\_\_\_\_

1. How did you first hear about this Jacuzzi® product?  
 Advertisement  Article in Magazine/Newspaper  
 Visited Dealer/Plumbing Supplier  Yellow Pages  
 Builder/Plumber/Remodeler  Decorator/Architect  
 Visited Retailer/Home Center Store  
 Word of Mouth... Friend/Relative/Acquaintance  
 Other (Please Describe) \_\_\_\_\_

2. Who first gave you specific information about this product (specifications, prices, etc.)?  
 Dealer/Plumbing Supplier  Builder  Remodeler  
 Plumbing Contractor  Retailer/Home Center Store  
 Decorator/Architect  Already Installed

3. What was the main reason for purchase?  
 Styling  Warranty Service  Product Features  
 Brand Name  Price  Hydrotherapy  
 Home Resale  
 Other \_\_\_\_\_

4. Who finally decided which product you would buy?  
 Self  Spouse  Self and Spouse Together  
 Other Family Member  Designer/Architect  
 Builder/Plumber/Remodeler  Already Installed

5. Who installed?  
 Contractor/Plumber when remodeling  
 Self/Spouse when remodeling  
 Other \_\_\_\_\_

6. What is the current market value of this property?  
 Please estimate \$ \_\_\_\_\_ years

7. What is the age of the head of the household?  
 1-5 years  6-10 years  11-15 years  16-20 years  21-25 years  26-30 years  31-35 years  36-40 years  41-45 years  46-50 years  51-55 years  56-60 years  61-65 years  66-70 years  71-75 years  76-80 years  81-85 years  86-90 years  91-95 years  96-100 years

8. What other manufacturers did you consider?  
 Eiler  Lasco  Price Pfister  Aqua Glass  
 Kohler  American Standard  Sterling  
 Other (Specify) \_\_\_\_\_

9. How long did you shop before purchasing unit?  
 1 day  2 months-6 months  
 2-7 days  6 months-1 year  
 1 week-2 weeks  1 year-2 years  
 2 weeks-4 weeks  +2 years

10. Approximately how long have you lived in this home?  
 1 month-2 months  2-3 months  3-6 months  6-12 months  1-2 years  2-5 years  5-10 years  10-15 years  15-20 years  20-25 years  25-30 years  30-35 years  35-40 years  40-45 years  45-50 years  50-55 years  55-60 years  60-65 years  65-70 years  70-75 years  75-80 years  80-85 years  85-90 years  90-95 years  95-100 years

11. Please indicate, approximately, the total annual income of your household.  
 Up to \$24,999  \$50,000 to \$74,999  
 \$25,000 to \$29,999  \$75,000 to \$99,999  
 \$30,000 to \$39,999  \$100,000 to \$149,999  
 \$40,000 to \$49,999  \$150,000 and Above

12. Was your purchase process?  
 Very easy  Easy  Difficult  Very Difficult  
 Somewhat easy  Somewhat difficult

13. How technically aware were you of the patented Jacuzzi® jet system prior to your purchase?  
 Not aware  Somewhat aware  Very aware

Ninety-Day  
Parts Only  
Limited Warranty  
On  
Accessory(ies)